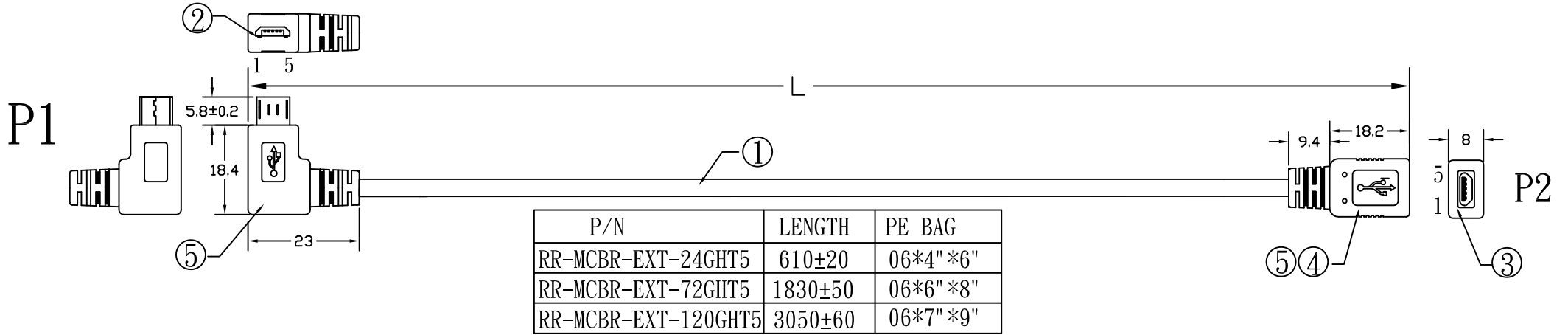
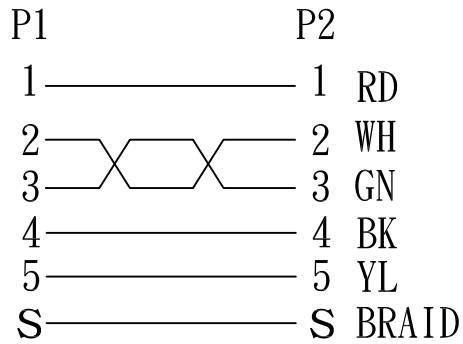


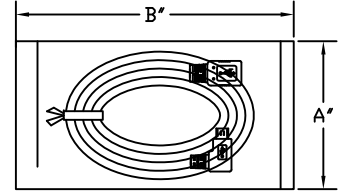
CHANGE VERSION	REMARKS	C	
A	14/11/24	REL	D
B			E



PIN OUT :



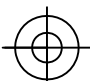
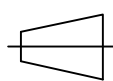
RR-MCBR-EXT-24GHT5	45mm	15mm
RR-MCBR-EXT-72GHT5	45mm	15mm
RR-MCBR-EXT-120GHT5	45mm	15mm



MATERIAL LIST :

NO.	P/NAME	DESCRIPTION	Q' TY
1	WIRE	UL2517 28AWG(7/0.12 TC)*1P+24AWG(7/0.20 TC)*3C+AL+1(TC)+B(16*4/0.10 TC) OD:5.0±0.15 BLACK(B792) (COPARTNER)	1
2	PLUG	MICRO USB"B"TYPE 5P MALE GOLD PLATED SHORT TYPE	1
3	PLUG	MICRO USB"B"TYPE 5P FEMALE GOLD PLATED	1
4	PVC	LD PE	1.5g
5	PVC	45P BLACK(B792)PVC	12g
6	PACKAGE	1PCE/PE BAG:06*A"*B"+ P/N STICKER	1

P/N STICKER

MOLD TOOL NO.	USB FIREWIRE .com			DRAWN BY
MICRO USB M A110-588-001	<small>THE INFORMATION CONTAINED HEREIN IS THE PROPRIETARY INFORMATION OF RR BUSINESS VENTURES, LLC. THE POSSESSOR AGREES TO MAINTAIN THIS DOCUMENT IN CONFIDENCE; NOT REPRODUCE IT OR COPY IT, AND NOT TO REVEAL OR PUBLISH IT IN WHOLE OR PART. COPYRIGHT © 2019</small>			Marcos
MICRO USB F A110-592-001 B120-278-001				SCALE
HOOD G160-038-001	 	MM	A	CONFIRMED BY
	FILE NAME	CUSTOMER		CHECKED BY
	OW1411020			
	DATE	CUSTOMER P/N		APPROVED BY
	14/11/24	RR-MCBR-EXT-XXGHT5		

RoHS