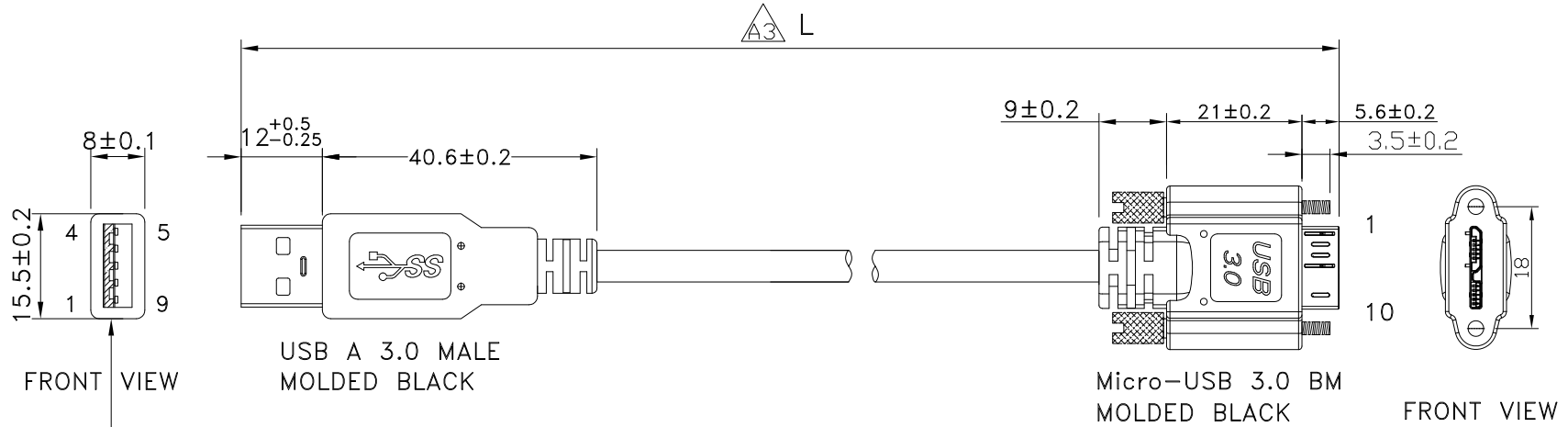


REV	ECN#	DESCRIPTION OF REVISION	DRAW BY DATE	CHECK BY DATE	APPROVE BY DATE
A3	ECN-210221	Cable Length Change To Tip to Tip	Lucas 02/26/21	Lucas 02/26/21	Ray 02/26/21



Plastic Tongue
(Black Shaded Area)


PIN OUT

USB A M	Micro-USB BM
1 — RED	1
2 — WHITE	2
3 — GREEN	3
4 — BLACK	5
5 — BLUE	6
6 — YELLOW	7
7 — DRAIN	8
8 — PURPLE	9
9 — ORANGE	10
SHEEL — BRAID — SHEEL	

P/N	LENGTH
RR-ASMSK-20GR	508 ⁺³⁰ ₋₀
RR-ASMSK-78GR	1980 ⁺⁶⁰ ₋₀
RR-ASMSK-117GR	2972 ⁺⁸⁰ ₋₀
RR-ASMSK-120GR	3048±50
RR-ASMSK-196GR	4978±50

GTC
DOC.CENTER.ISSUE
FEB.26.2021
ONLY FOR
RELEASE

TITLE USB3.0 AM To Micro USB3.0 BM					DRAWING NUMBER RR-ASMSK-XXGR			REV. A3	
THIRD ANGLE PROJECTION	SIZE B	SCALE 1:1	DRAW / DATE Lucas 09/25/14	CHECK / DATE Ray 09/25/14	APPROVE / DATE Ray 09/25/14	TOLERANCES X.X ± 0.5 X.XX ± 0.2	ANGLES X.XXX ± 0.05 X.X ± 1°	UNIT mm	SHEET 1/3


USB FIREWIRE.com

THE INFORMATION CONTAINED HEREIN IS PROPRIETARY AND CONFIDENTIAL TO RR BUSINESS VENTURES, LLC. THE POSSESSOR AGREES TO THE FOLLOWING

1. MAINTAIN THIS DOCUMENT IN CONFIDENCE
2. NOT TO REPRODUCE OR COPY IT
3. NOT TO REVEAL OR PUBLISH IT IN WHOLE OR PART

1

2

3

4

REV	ECN#	DESCRIPTION OF REVISION	DRAW BY DATE	CHECK BY DATE	APPROVE BY DATE
A3	ECN-210221	Cable Length Change To Tip to Tip	Lucas 02/26/21	Lucas 02/26/21	Ray 02/26/21

***CONSTRUCTION:

1.CABLE: * UL2725 (1PR/28#+EAM)*2+(1PR/28#+A)+2C/24#+AB85%
OD:5.5mm BLACKE JACKET (REV:3.0)

***CONNECTOR:

2.USB A/M: * USB A "3.0" TYPE 9PIN MALE SOLDER TYPE.
* PINS: 30u GOLD PLATED OVER NICKEL.
* SHELL: STEEL WITH GOLD FLASH .
* INSULATOR: BLUE COLOR P.B.T UL 94V-0 RATED.
* MOLDED BLACK PVC 45P.

3.Micro-USB B/M: * MICRO-USB B "3.0" TYPE 10PIN MALE SOLDER TYPE.
* PINS: 30u GOLD PLATED OVER NICKEL.
* SHELL: STEEL WITH GOLD FLASH .
* INSULATOR: BLACK COLOR P.B.T UL 94V-0 RATED.
* SCREW: M2 5.5*34mm
* MOLDED BLACK PVC 45P.

4.TEST: * CT: 2 ohm IS: 5M ohm.

5.PACKING: * PACK EACH CABLE IN A POLY BAG AND 25PCS IN A POLY BAG.

6.MATERIAL: * MATERIAL WITH RoHS GRADE.



TITL			DRAWING NUMBER			REV.			
USB3.0 AM To Micro USB3.0 BM			RR-ASMSK-XXGR			A3			
	B	1:1	Lucas 09/25/14	Ray 09/25/14	Ray 09/25/14	X.X ± 0.5 X.XX ± 0.2	X.XXX ± 0.05 ANGLES ± 1°	mm	2/3
THIRD ANGLE PROJECTION	SIZE	SCALE	DRAW / DATE	CHECK / DATE	APPROVE / DATE	TOLERANCES		UNIT	SHEET

THE INFORMATION CONTAINED HEREIN IS PROPRIETARY AND CONFIDENTIAL TO RR BUSINESS VENTURES, LLC. THE POSSESSOR AGREES TO THE FOLLOWING

1. MAINTAIN THIS DOCUMENT IN CONFIDENCE
2. NOT TO REPRODUCE OR COPY IT
3. NOT TO REVEAL OR PUBLISH IT IN WHOLE OR PART

1

2

3

4

1

2

3

4

REV	ECN#	DESCRIPTION OF REVISION	DRAW BY DATE	CHECK BY DATE	APPROVE BY DATE
A3	ECN-210221	Cable Length Change To Tip to Tip	Lucas 02/26/21	Lucas 02/26/21	Ray 02/26/21

P/N	LENGTH(mm)	PE BAG(Inch)	PACKAGE
RR-ASMSK-20GR	508 ⁺³⁰ ₀	5.5"*10"	(2)
RR-ASMSK-78GR	1980 ⁺⁶⁰ ₀	5.5"*10"	(2)
RR-ASMSK-117GR	2972 ⁺⁸⁰ ₀	7"*10	(3)
RR-ASMSK-120GR	3048±50	7"*10	(3)
RR-ASMSK-196GR	4978±50	7"*12	(3)

PE BAG LABEL

RR-ASMSK-XXGR REV:XX
LOT: XXXX
Made in China

25

75mm

RR-ASMSK-XXGR REV:XX QTY:25PCS
LOT: XXXX
Made in China

RoHS LABEL

12



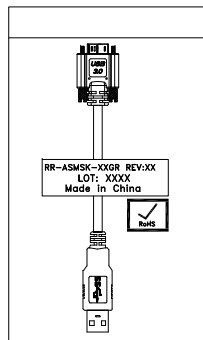
12

Green

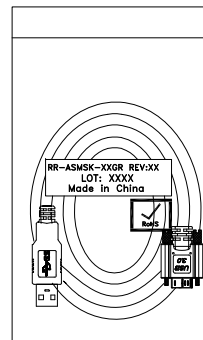
Black

NOTES:PACK EACH CABLE IN A POLY BAG AND 25PCS IN A POLY BAG.

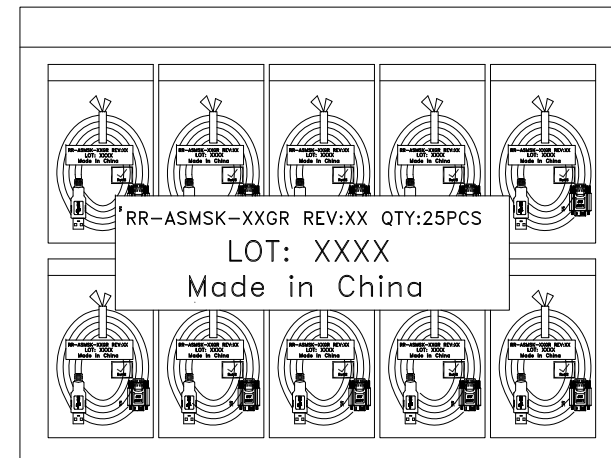
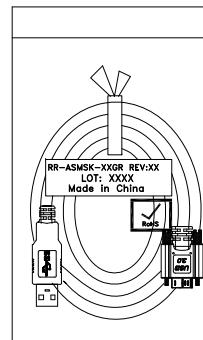
PACK(1)



PACK(2)



PACK(3)



GTC
DOC.CENTER.ISSUE
FEB.26.2021
ONLY FOR
RELEASE

TITLE USB3.0 AM To Micro USB3.0 BM						DRAWING NUMBER RR-ASMSK-XXGR			REV. A3	
THIRD ANGLE PROJECTION	SIZE	SCALE	DRAW / DATE	CHECK / DATE	APPROVE / DATE	TOLERANCES		UNIT	SHEET	
	B	1:1	Lucas 09/25/14	Ray 09/25/14	Ray 09/25/14	X.X ± 0.5 X.XX ± 0.2	X.XXX ± 0.05 ANGLES ± 1°	mm	3/3	

USBFIREWIRE.com

THE INFORMATION CONTAINED HEREIN IS PROPRIETARY AND CONFIDENTIAL TO RR BUSINESS VENTURES, LLC. THE POSSESSOR AGREES TO THE FOLLOWING

1. MAINTAIN THIS DOCUMENT IN CONFIDENCE
2. NOT TO REPRODUCE OR COPY IT
3. NOT TO REVEAL OR PUBLISH IT IN WHOLE OR PART

1

2

3

4