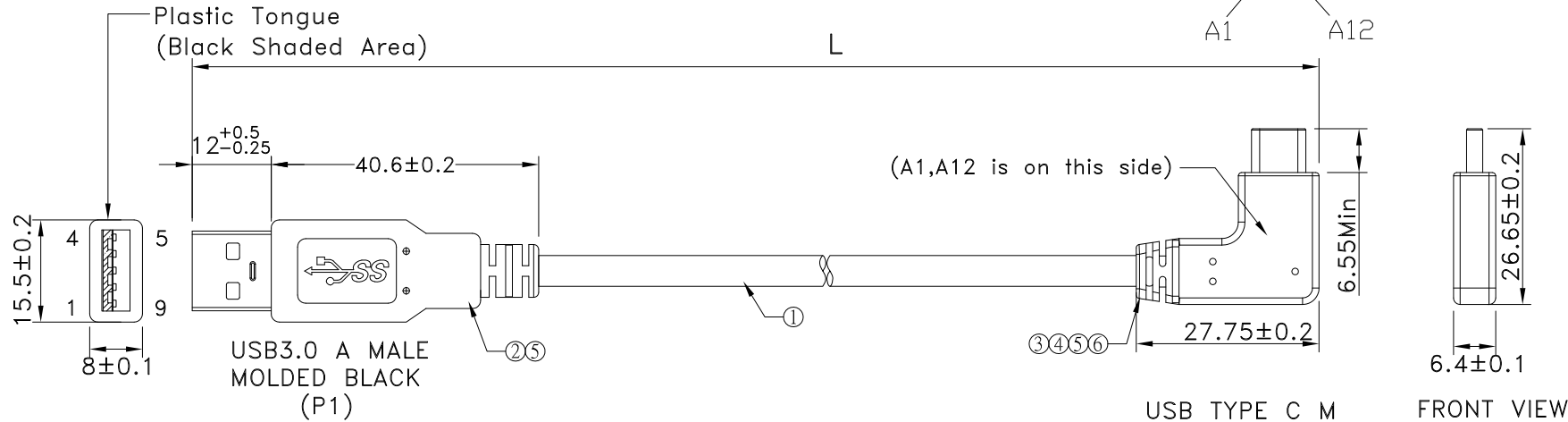


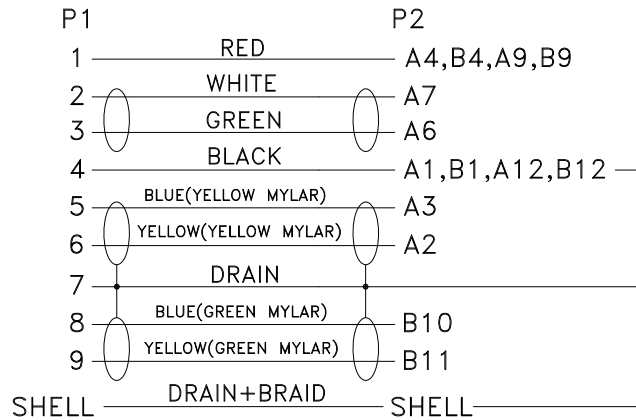
Note:

1.Type C -Pin out is the same as this drawing.

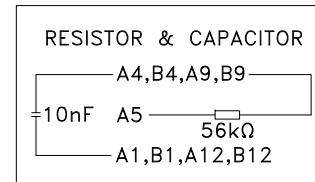
REV	ECN#	DESCRIPTION OF REVISION	DRAW BY DATE	CHECK BY DATE	APPROVE BY DATE
A0			Lucas 05/21/24	Lucas 05/21/24	Ray 05/21/24



PIN OUT



USB TYPE C M
RIGHT ANGLE RIGHT/LEFT
MOLDED BLACK
(P2)



P/N	LENGTH
RR-ASCH-12GRCX	305 ⁺²⁰ ₀

TITLE						DRAWING NUMBER			REV.
USB3.0 AM TO USB TYPE C MALE RIGHT ANGLE RIGHT/LEFT						RR-ASCH-XXGRCX			A0
THIRD ANGLE PROJECTION	SIZE	SCALE	DRAW / DATE	CHECK / DATE	APPROVE / DATE	TOLERANCES		SHEET	
	B	1:1	Lucas 05/21/24	Lucas 05/21/24	Ray 05/21/24	X.X ± 0.5 X.XX ± 0.2	X.XXX ± 0.05 ANGLES ± 1°	mm 1/3	

THE INFORMATION CONTAINED HEREIN IS PROPRIETARY AND CONFIDENTIAL TO RR BUSINESS VENTURES, LLC. THE POSSESSOR AGREES TO THE FOLLOWING

1. MAINTAIN THIS DOCUMENT IN CONFIDENCE
2. NOT TO REPRODUCE OR COPY IT
3. NOT TO REVEAL OR PUBLISH IT IN WHOLE OR PART

1

2

3

4

REV	ECN#	DESCRIPTION OF REVISION	DRAW BY DATE	CHECK BY DATE	APPROVE BY DATE
A0			Lucas 05/21/24	Lucas 05/21/24	Ray 05/21/24

ITEM	Part name	MATERIAL/FINISH	Q,ty
1	Cable	UL2725 (1P/32#+EAM)*2+(1P/32#)+(2C/28#)+AEB 65% OD:4.2mm BLACK PVC JACKET	1
2	USB 3.0 AM	USB3.0 A TYPE 9PIN MALE SOLDER TYPE	1
		PINS: 30u GOLD PLATED OVER NICKEL	
		INSULATOR: BLUE COLOR P.B.T UL 94V-0 RATED	
		SHELL: STEEL WITH GOLD FLASH	
3	USB Type CM	USB TYPE C MALE SOLDER TYPE,RESISTOR(56KΩ) AND CAPACITOR(10nF 30V)	1
		PINS: 30u GOLD PLATED OVER NICKEL	
		INSULATOR: BLACK COLOR P.B.T UL 94V-0 RATED	
		SHELL: STEEL WITH GOLD FLASH	
4	inner Mold	HENKEL: A2035 94A	AR
5	Over Mold	BLACK PVC 45P	AR
6	Copper foil	Copper foil	AR



TITLE USB3.0 AM TO USB TYPE C MALE RIGHT ANGLE RIGHT/LEFT					DRAWING NUMBER RR-ASCH-XXGRGX			REV. A0	
DO NOT SCALE DRAWINGS	B	1:1	Lucas 05/21/24	Lucas 05/21/24	Ray 05/21/24	X.X ± 0.5 X.XX ± 0.2	X.XXX ± 0.05 ANGLES ± 1°	mm	2/3
THIRD ANGLE PROJECTION	SIZE	SCALE	DRAW / DATE	CHECK / DATE	APPROVE / DATE	TOLERANCES		UNIT	SHEET

THE INFORMATION CONTAINED HEREIN IS PROPRIETARY AND CONFIDENTIAL TO RR BUSINESS VENTURES, LLC. THE POSSESSOR AGREES TO THE FOLLOWING

1. MAINTAIN THIS DOCUMENT IN CONFIDENCE
2. NOT TO REPRODUCE OR COPY IT
3. NOT TO REVEAL OR PUBLISH IT IN WHOLE OR PART

1

2

3

4

1

2

3

4

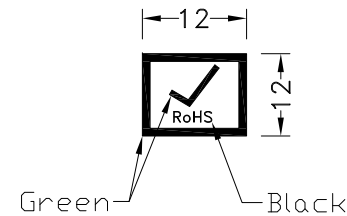
REV	ECN#	DESCRIPTION OF REVISION	DRAW BY DATE	CHECK BY DATE	APPROVE BY DATE
A0			Lucas 05/21/24	Lucas 05/21/24	Ray 05/21/24

P/N	LENGTH(mm)	PE BAG(Inch)	PACKAGE
RR-ASCH-12GRCX	305 \pm ₀ ²⁰	5.5"*10	(2)

PE BAG LABEL

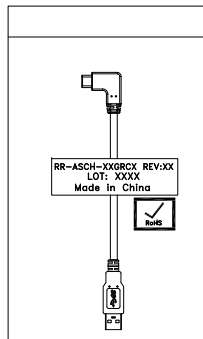


RoHS LABEL

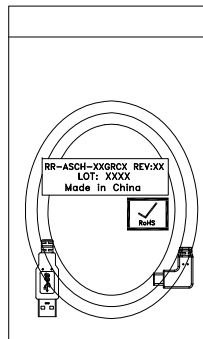


NOTES:PACK EACH CABLE IN A POLY BAG AND 25PCS IN A POLY BAG.

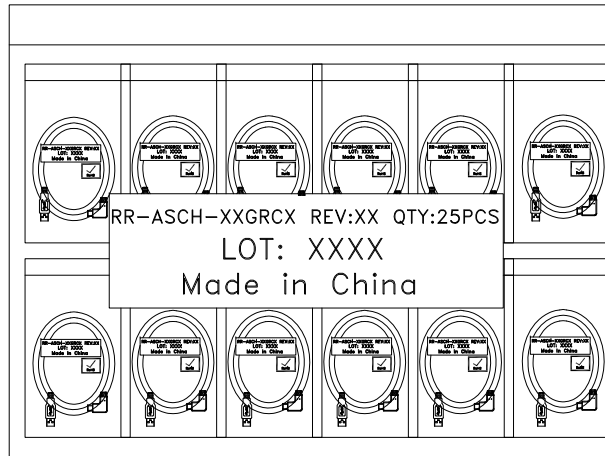
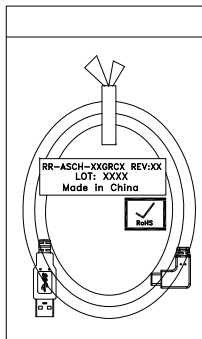
PACK(1)



PACK(2)



PACK(3)



GTC
DOC.CENTER.ISSUE
MAY.21.2024
ONLY FOR
RELEASE

TITLE USB3.0 AM TO USB TYPE C MALE RIGHT ANGLE RIGHT/LEFT						DRAWING NUMBER RR-ASCH-XXGRCX			REV. A0
THIRD ANGLE PROJECTION	SIZE	SCALE	DRAW / DATE	CHECK / DATE	APPROVE / DATE	TOLERANCES		UNIT	SHEET
DD NOT SCALE DRAWINGS	B	1:1	Lucas 05/21/24	Lucas 05/21/24	Ray 05/21/24	X.X ± 0.5 X.XX ± 0.2	X.XXX ± 0.05 ANGLES ± 1°	mm	3/3

THE INFORMATION CONTAINED HEREIN IS PROPRIETARY AND CONFIDENTIAL TO RR BUSINESS VENTURES, LLC. THE POSSESSOR AGREES TO THE FOLLOWING

1. MAINTAIN THIS DOCUMENT IN CONFIDENCE
2. NOT TO REPRODUCE OR COPY IT
3. NOT TO REVEAL OR PUBLISH IT IN WHOLE OR PART

1

2

3

4