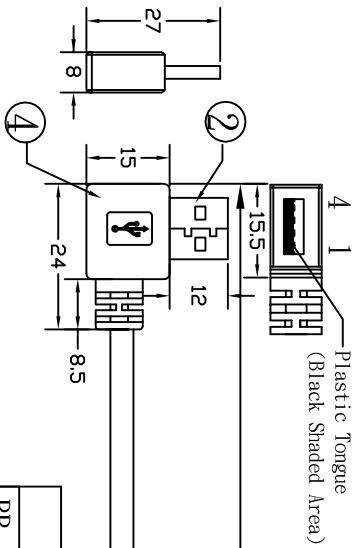


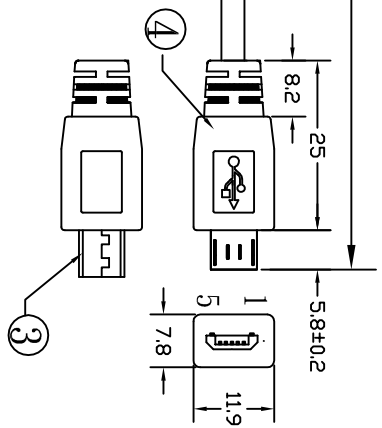
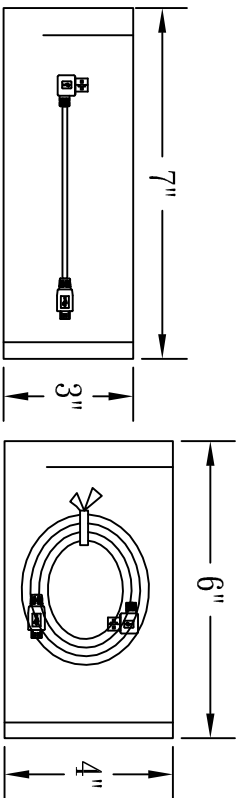
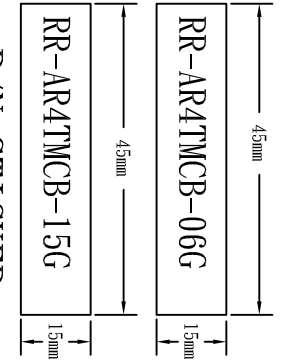
| CHANGE VERSION | REMARKS          | C | 19/04/03 | ADD P/N        |
|----------------|------------------|---|----------|----------------|
| A              | 18/07/26 REL     | D | 19/05/05 | CHANGE TOOLING |
| B              | 18/10/11 ADD P/N | E |          |                |



PIN OUT :

| P/N            | LENGTH | CABLE L  | PACK      |
|----------------|--------|----------|-----------|
| RR-AR4TMCB-05G | 127±10 | L: 125mm | 06*3" *7" |
| RR-AR4TMCB-06G | 152±10 | L: 150mm | 06*3" *7" |
| RR-AR4TMCB-15G | 380±15 | L: 380mm | 06*4" *6" |

- USB AM      MINI BM
- |   |       |
|---|-------|
| 1 | RD    |
| 2 | WH    |
| 3 | GN    |
| 4 | BK    |
| S | DRAIN |



MATERIAL LIST :

| NO. | P/NAME | DESCRIPTION  | Q' TY |
|-----|--------|--|-------|
| 1   | WIRE   | UL2725 28AWG(7/0.12 TC)*1P+24AWG(7/0.20 TC)*2C+AL+1(TC)+ B(16*4/0.10 TC) OD:5.0±0.15 BLACK(B792) 2.0 (COPARTNER) | 1     |
| 2   | PLUG   | USB "A" TYPE MALE GOLD PLATED SHORT TYPE   | 1     |
| 3   | PLUG   | MICRO USB "B" TYPE 5PIN MALE GOLD PLATED SHORT TYPE  | 1     |
| 4   | PVC    | 45P BLACK(B792)PVC   | 12g   |
| 5   | PACK   | 1PCE/PE BAG: 06*A*B" + P/N STICKER   |       |

| MOLD TOOL NO.   | DATE     | CUSTOMER P/N | APPROVED BY  |
|---|----------|--------------|--------------|
| "A" TYPE<br>A110-557-001<br>MICRO "B"<br>A110-591-001 | 19/05/05 |              | Marcos       |
| FILE NAME<br>OW1710023                                | CUSTOMER | CHECKED BY   | CONFIRMED BY |
| SCALE   | UNIT     | REV          |              |
| MM  | D        |              |              |

ROHS



THE INFORMATION CONTAINED HEREIN IS THE PROPRIETARY INFORMATION OF RR BUSINESS VENTURES, LLC. THE POSSESSOR AGREES TO MAINTAIN THIS DOCUMENT IN CONFIDENCE, NOT REPRODUCE IT OR COPY IT, AND NOT TO REVEAL OR PUBLISH IT IN WHOLE OR PART. COPYRIGHT © 2019