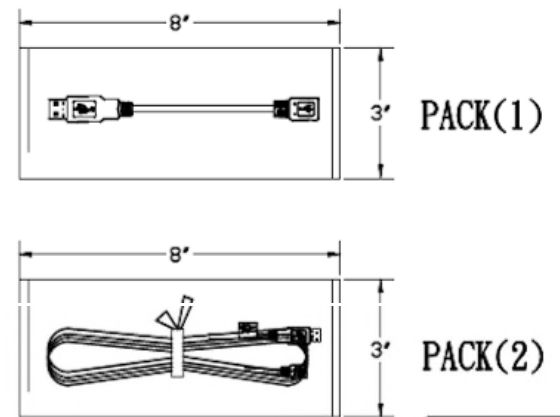
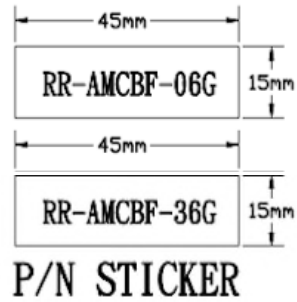
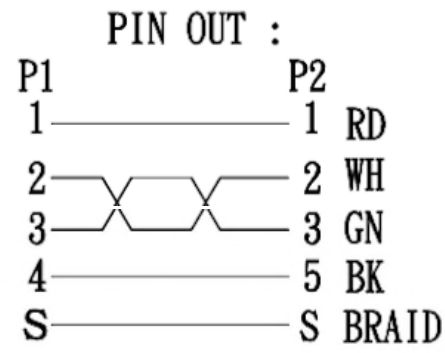


NEW BRAID ASS'Y WAY
OW1105033

P/N	LENGTH	PACKAGE
RR-AMCBF-06G	153±10	(1)
RR-AMCBF-36G	915±20	(2)



MATERIAL LIST :

NO.	P/NAME	DESCRIPTION	Q' TY
1	WIRE	UL2725 28AWG(7/0.12 TC)*1P+24AWG(7/0.20 TC)*2C+AL+1(TC)+B(16*4/0.10 TC) OD:5.0±0.15 BLACK(B792) 2.0 (COPARTNER)	1
2	PLUG	USB A TYPE MALE GOLD PLATED	1
3	PLUG	MICRO USB"B"TYPE 5P FEMALE GOLD PLATED	1
4	PVC	LD PE	1.5g
5	PVC	45P BLACK(B792)PVC	12g
6	PCB	PCB FOR MICRO USB FEMALE	1
7	PACKAGE	1PCE/PE BAG:06*3"*8" + P/N STICKER	1

MOLD TOOL NO.
USB AM A110-160-001
MICRO USB F A110-592-001 B120-278-001
HOOD G160-038-001

<small>THE INFORMATION CONTAINED HEREIN IS THE PROPRIETARY INFORMATION OF RR BUSINESS VENTURES, LLC. THE POSSESSOR AGREES TO MAINTAIN THIS DOCUMENT IN CONFIDENCE; NOT REPRODUCE IT OR COPY IT, AND NOT TO REVEAL OR PUBLISH IT IN WHOLE OR PART. COPYRIGHT © 2019</small>			
	SCALE	UNIT	REV
		MM	B
FILE NAME	CUSTOMER		
OW1202007			
DATE	CUSTOMER P/N		
13/08/28	RR-AMCBF-XXG		

RoHS

DRAWN BY	Marcos
CHECKED BY	
CONFIRMED BY	
CHECKED BY	
APPROVED BY	