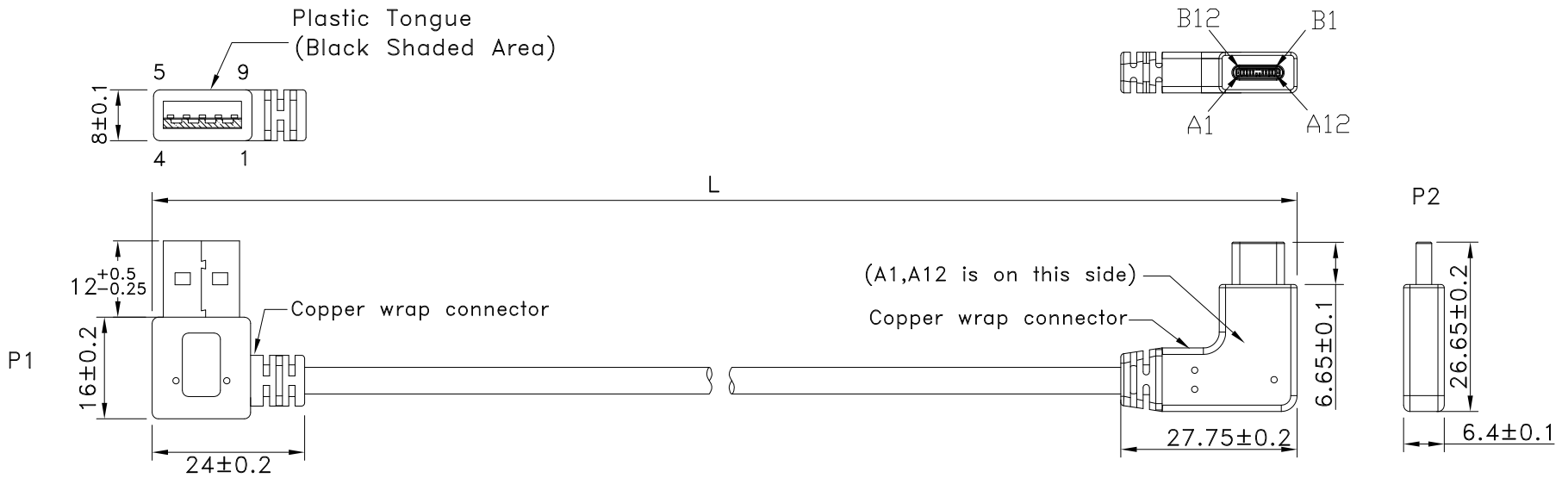


Note:

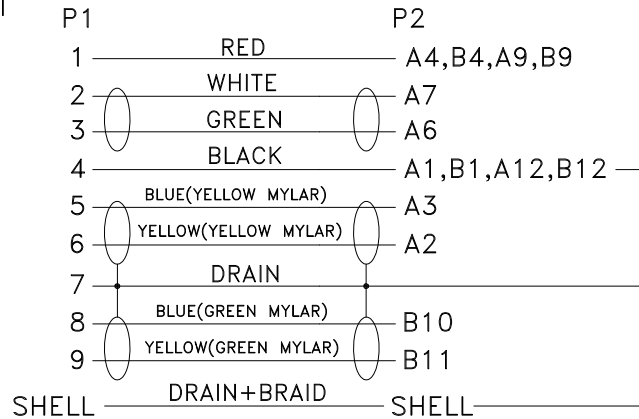
1.Type C -Pin out is the same as this drawing.

REV	ECN#	DESCRIPTION OF REVISION	DRAW BY DATE	CHECK BY DATE	APPROVE BY DATE
A0			Lucas 01/31/23	Lucas 01/31/23	Ray 01/31/23



USB A MALE  
RIGHT ANGLE LEFT  
MOLDED BLACK

PIN OUT



USB TYPE C M  
RIGHT ANGLE RIGHT/LEFT  
MOLDED BLACK

P/N	LENGTH
RR-ALCH-08GRCX	203 <sup>+20</sup> <sub>-0</sub>



TITLE USB3.0 AM RIGHT ANGLE LEFT TO USB3.1 C TYPE MALE RIGHT ANGLE RIGHT/LEFT					DRAWING NUMBER RR-ALCH-XXGRCX			REV. A0	
--	--	--	--	--	----------------------------------	--	--	------------	--

THIRD ANGLE PROJECTION	SIZE	SCALE	DRAW / DATE	CHECK / DATE	APPROVE / DATE	TOLERANCES	UNIT	SHEET
DD NOT SCALE DRAWINGS	B	1:1	Lucas 01/31/23	Lucas 01/31/23	Ray 01/31/23	X.X ± 0.5 X.XX ± 0.2	X.XXX ± 0.05 ANGLES ± 1°	mm 1/3

THE INFORMATION CONTAINED HEREIN IS PROPRIETARY AND CONFIDENTIAL TO RR BUSINESS VENTURES, LLC. THE POSSESSOR AGREES TO THE FOLLOWING

1. MAINTAIN THIS DOCUMENT IN CONFIDENCE
2. NOT TO REPRODUCE OR COPY IT
3. NOT TO REVEAL OR PUBLISH IT IN WHOLE OR PART

1

2

3

4

REV	ECN#	DESCRIPTION OF REVISION	DRAW BY DATE	CHECK BY DATE	APPROVE BY DATE
A0			Lucas 01/31/23	Lucas 01/31/23	Ray 01/31/23

\*\*\*CONSTRUCTION:

1.CABLE: \* UL2725 (1P/32#+EAM)\*2+(1P/32#)+(2C/28#)+AEB 65% OD:4.2mm  
BLACK PVC JACKET.

\*\*\*CONNECTOR:

2.USB A/M: \* USB A "3.0" TYPE 9PIN MALE SOLDER TYPE.  
\* PINS: 30u GOLD PLATED OVER NICKEL.  
\* INSULATOR: BLUE COLOR P.B.T UL 94V-0 RATED.  
\* SHELL: STEEL WITH GOLD FLASH .  
\* MOLDED: BLACK PVC 45P.

3.USB C/M: \* USB TYPE C MALE SOLDER TYPE.  
\* PINS: 30u GOLD PLATED OVER NICKEL.  
\* INSULATOR: BLACK THERMOPLASTIC UL 94V-0.  
\* SHELL: STEEL WITH GOLD FLASH .  
\* RESISTOR(56KΩ) AND CAPACITOR.  
\* MOLDED: BLACK PVC 45P & 30P.

4.TEST: \* CT: 2 ohm IS: 5M ohm DC300V 0.1S.

5.PACKING: \* PACK EACH CABLE IN A POLY BAG AND 25PCS IN A POLY BAG.

6.MATERIAL: \* MATERIAL WITH RoHS GRADE.



TITLE USB3.0 AM RIGHT ANGLE LEFT TO USB3.1 C TYPE MALE RIGHT ANGLE RIGHT/LEFT					DRAWING NUMBER RR-ALCH-XXGRCX			REV. A0
--	--	--	--	--	----------------------------------	--	--	------------

DO NOT SCALE DRAWINGS	B	1:1	Lucas 01/31/23	Lucas 01/31/23	Ray 01/31/23	X.X ± 0.5 X.XX ± 0.2	X.XXX ± 0.05 ANGLES ± 1°	mm	2/3
THIRD ANGLE PROJECTION	SIZE	SCALE	DRAW / DATE	CHECK / DATE	APPROVE / DATE	TOLERANCES		UNIT	SHEET

THE INFORMATION CONTAINED HEREIN IS PROPRIETARY AND CONFIDENTIAL TO RR BUSINESS VENTURES, LLC. THE POSSESSOR AGREES TO THE FOLLOWING

1. MAINTAIN THIS DOCUMENT IN CONFIDENCE
2. NOT TO REPRODUCE OR COPY IT
3. NOT TO REVEAL OR PUBLISH IT IN WHOLE OR PART

1

2

3

4

1

2

3

4

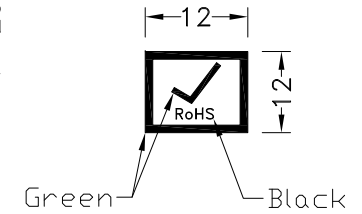
REV	ECN#	DESCRIPTION OF REVISION	DRAW BY DATE	CHECK BY DATE	APPROVE BY DATE
A0			Lucas 01/31/23	Lucas 01/31/23	Ray 01/31/23

P/N	LENGTH(mm)	PE BAG(Inch)	PACKAGE
RR-ALCH-08GRCX	203 <sup>+20</sup> <sub>-0</sub>	5.5"*10	(1)

PE BAG LABEL

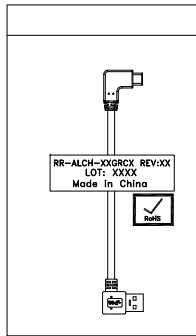


RoHS LABEL

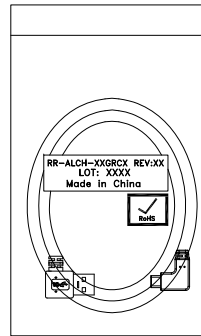


NOTES:PACK EACH CABLE IN A POLY BAG AND 25PCS IN A POLY BAG.

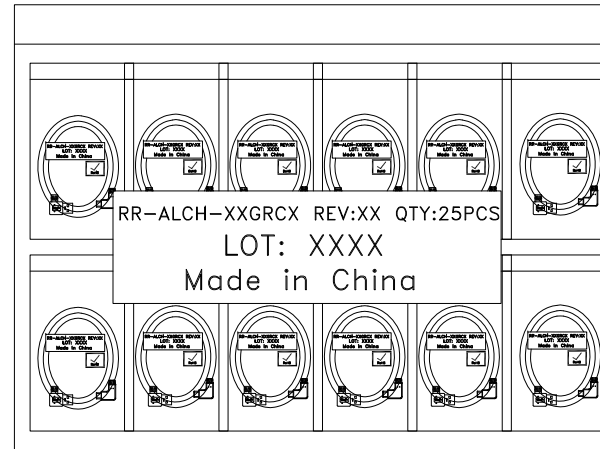
PACK(1)



PACK(2)



GTC  
DOC.CENTER.ISSUE  
JAN.31.2023  
ONLY FOR  
RELEASE



TITLE					DRAWING NUMBER			REV.
USB3.0 AM RIGHT ANGLE LEFT TO USB3.1 C TYPE MALE RIGHT ANGLE RIGHT/LEFT					RR-ALCH-XXGRCX			A0
DO NOT SCALE DRAWINGS	B	1:1	Lucas 01/31/23	Lucas 01/31/23	Ray 01/31/23	X.X ± 0.5 X.XX ± 0.2	X.XXX ± 0.05 ANGLES ± 1°	mm 3/3
THIRD ANGLE PROJECTION	SIZE	SCALE	DRAW / DATE	CHECK / DATE	APPROVE / DATE	TOLERANCES		UNIT SHEET



THE INFORMATION CONTAINED HEREIN IS PROPRIETARY AND CONFIDENTIAL TO RR BUSINESS VENTURES, LLC. THE POSSESSOR AGREES TO THE FOLLOWING

1. MAINTAIN THIS DOCUMENT IN CONFIDENCE
2. NOT TO REPRODUCE OR COPY IT
3. NOT TO REVEAL OR PUBLISH IT IN WHOLE OR PART

1

2

3

4