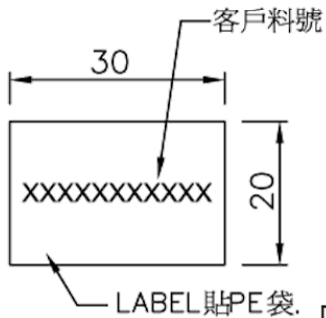
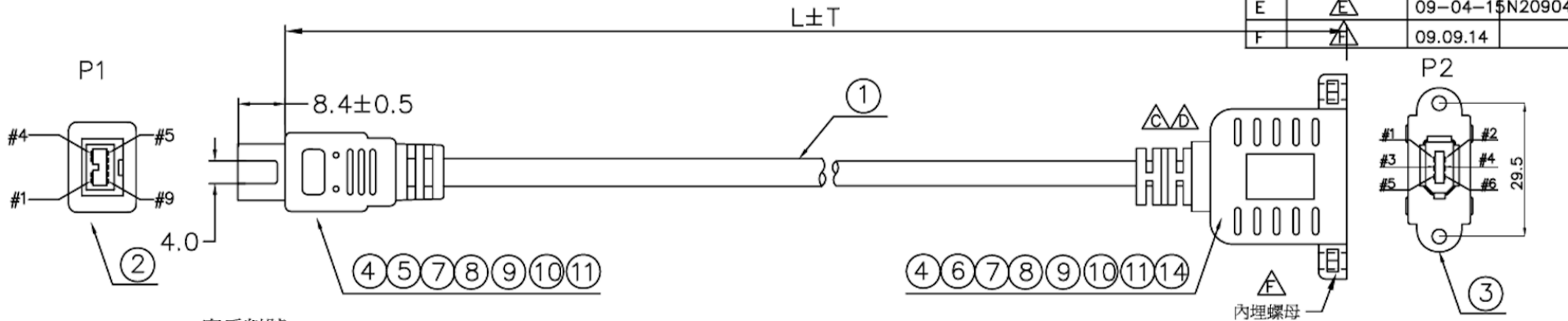


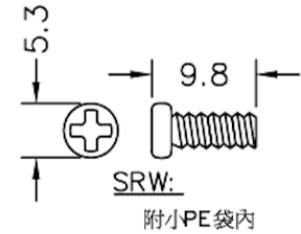
FILE NO: IE-02201

DESCRIPTION CONTROL

REV	DESC	DATE	ECN NO.
E	Δ	09-04-15	N20904095
F	Δ	09.09.14	



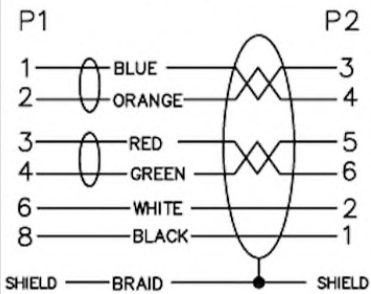
CUSTOMER P/N	L±T	M	PE BAG: L*W*0.06MM	TIE-A/BK10
Δ RR-9S6FP-12G	305±20	0.31	PE BAG: 5*6"	80*1
Δ RR-9S6FP-24G	610±20	0.61	PE BAG: 5*6"	100*1
Δ RR-9S6FP-72G	1830±50	1.83	PE BAG: 6*8"	120*1



RoHS COMPLIANT



PIN ASSIGNMENT



14	210010000332	FOIL-CU-18MM	Δ	70*1	MM								
13	240020000008	NUTS: 4.75*2.0MM<4#-40>	Δ	2	PCS	*	390	PE BAG: 2.5"*2.5"*0.06MM<裝2PCS螺絲>	Δ	1	PCS		
12	240010700138	SRW: 5.4*9.8MM<全牙>	Δ	2	PCS	*	310000000012	CARTON: 46*30*25CM		A/R	PCS		
11	200032000158	TUBE-HT- ϕ 3.0MM		8*2	MM	*	3000100000001	PE BAG: 30"*28"*0.08MM		A/R	PCS		
10	200032000517	TUBE-HT- ϕ 0.8MM		10*2	MM	*	390	PE BAG: L"*W"*0.06MM		1	PCS		
9	120010000031	PVC-BLACK10/50		20	G	*	390	TIE-A/BLACK10		***	MM		
8	210030000105	HI TEAMP TAPE: W: 8MM		40*4	MM	*	390	LABEL: 30*20MM"XXXXXXXX"		1	PCS		
7	210030000057	HI-TEAMP-TAPE W: 6MM		35*2	MM		INNER MOLDING			IEEE1394-075KF			
6		TUBE-HT- ϕ 1.5MM		12*1	MM		OUTER MOLDING	IEEE-1394-048		IEEE1394-076KF			
5	210010000088	FOIL-CU-6MM	Δ	35*1	MM								
4	370	PE-5321		3	G								
3		IE1394-6S<BK>成型式,鍍金<帶馬口鐵><連津>	Δ Δ Δ	1	SET								
2		IEEE1394b-9P<BK><MOLDING TYPE> <鐵殼鍍金> <BILINGUAL>		1	SET								
1	1308061100001	26#*2C+(30#*1P+D+A+MY)*2C+MYLAR +A+B-BLACK10-5.2U20276 (聯穎)		L	M								
NO	PART NO.	DESCRIPTION		QTY	UNIT	ALL DIMENSIONS IN mm (UNLESS OTHERWISE SPECIFIED)							



THE INFORMATION CONTAINED HEREIN IS THE PROPRIETARY INFORMATION OF RR BUSINESS VENTURES, LLC. THE POSSESSOR AGREES TO MAINTAIN THIS DOCUMENT IN CONFIDENCE, NOT REPRODUCE IT OR COPY IT, AND NOT TO REVEAL OR PUBLISH IT IN WHOLE OR PART. COPYRIGHT © 2019

	ITEM: RR-9S6FP-XXG	REV F
DRAWN BY: 葉麗珍	SCALE: NONE	DATE: 2008/10/14
CHECKED BY:	CUSTOMER: C331<陸鴻>	PAGE: 1/1
APPROVED BY:	CUSTOMER P/N: RR-9S6FP-XXG	