

1

2

3

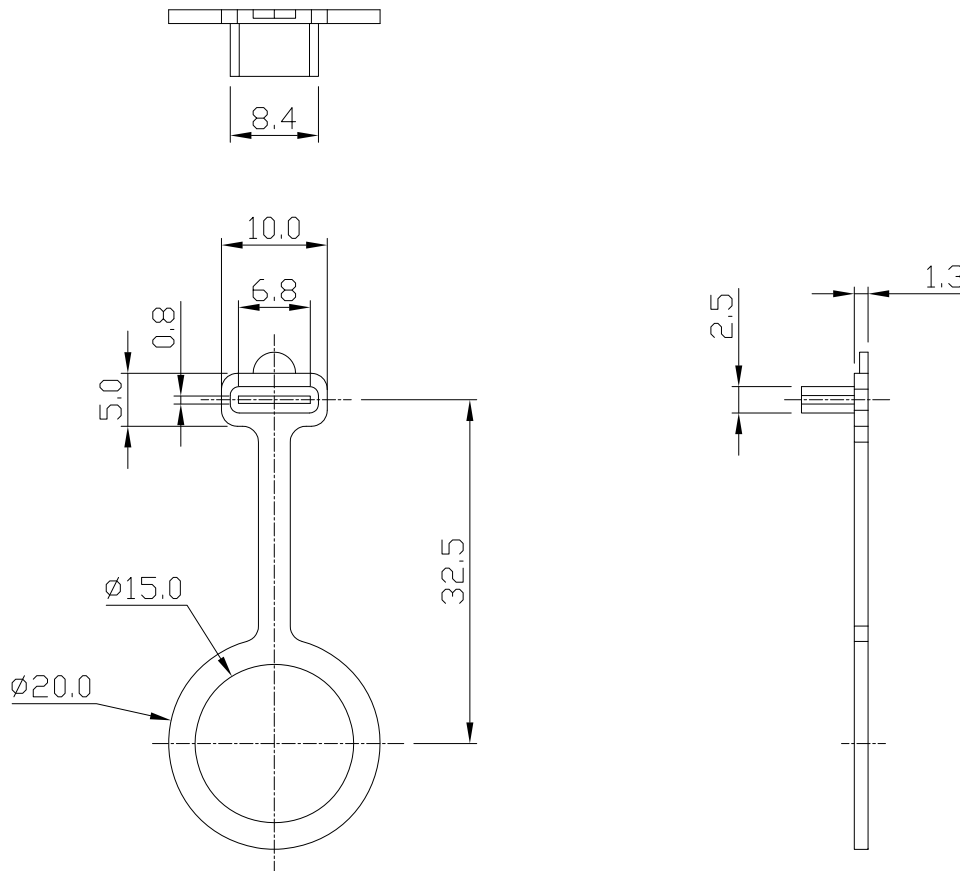
4

Notes: (Unless Otherwise Specified)

- 1. RoHS Compliant.
- 2. Using Without Logo PE Bag And 100pcs In A Bag.

RR-5C1C4092_REV:XX_QTY:100PCS
LOT:XXXX
Made in XXXXX

REV	ECN#	DESCRIPTION OF REVISION	DRAW BY DATE	CHECK BY DATE	APPROVE BY DATE
A0			Jenny 12/13/22	Lucas 12/13/22	Ray 12/13/22



GTC
 DOC.CENTER.ISSUE
 DEC.13.2022
 ONLY FOR
 RELEASE

1	Cap	Silicone Color: Black	1
Item	Part Name	Material / Finish	Q'ty

TITLE						DRAWING NUMBER			REV.
Cap For Type C With Chain						RR-5C1C4092			A0
	B	1:1	Jenny 12/13/22	Lucas 12/13/22	Ray 12/13/22	X.X ± 0.5 X.XX ± 0.2	X.XXX ± 0.05 ANGLES ± 1°	mm	1/1
THIRD ANGLE PROJECTION	SIZE	SCALE	DRAW / DATE	CHECK / DATE	APPROVE / DATE	TOLERANCES		UNIT	SHEET

THE INFORMATION CONTAINED HEREIN IS PROPRIETARY AND CONFIDENTIAL TO RR BUSINESS VENTURES, LLC. THE POSSESSOR AGREES TO THE FOLLOWING

1. MAINTAIN THIS DOCUMENT IN CONFIDENCE
2. NOT TO REPRODUCE OR COPY IT
3. NOT TO REVEAL OR PUBLISH IT IN WHOLE OR PART

1

2

3

4