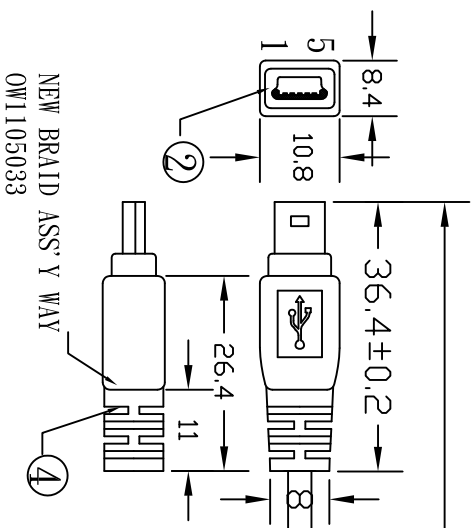


CHANGE VERSION	REMARKS	C	11/03/15	ADD P/N	F	14/12/22	ADD P/N, REMOVE STICKER, CHANGE PACKAGE
A	10/11/03 REL	D	11/06/10	ADD BRAID WAY	G		
B	10/12/21 ADD P/N	E	11/10/07	CHANGE CABLE	H		



NEW BRAID ASS'Y WAY  
OW1105033

PIN OUT :

MINI USB USB AF

P/N	LENGTH	CABLE L	PE BAG	PACK
RR-2MB-AF-05G	127±10	105mm	06*3"*8"	(1)
RR-2MB-AF-12G	305±20	285mm	06*3"*8"	(1)
RR-2MB-AF-17G	432±20	410mm	06*3"*8"	(1)
RR-2MB-AF-25.5G	648±20	630mm	06*5"*7"	(2)
RR-2MB-AF-42G	1067±30	1050mm	06*5"*7"	(2)

- 1 RD
  - 2 WH
  - 3 GN
  - 4 BK
  - 5 BK
- S BRAID

MATERIAL LIST :

NO.	P/NAME	DESCRIPTION	Q' TY
1	WIRE	UL2725 28AWG(7/0.12 TC)*1P+24AWG(7/0.20 TC)*2C+AL+1(TC)+B(16*4/0.10 TC) OD:5.0±0.15 (B792) 2.0 (COPARTNER)	1
2	PLUG	MINI USB" B" TYPE 5PIN MALE GOLD PLATED	1
3	PLUG	USB" A" TYPE FEMALE GOLD PLATED WITH TINPLATE	1
4	PVC	45P BLACK(B792)PVC	12g
5	PACKAGE	IPCE/PEBAG:06*3"*8" + P/N STICKER	1

P/N STICKER

NO.	P/NAME	DESCRIPTION	Q' TY	MOLD TOOL NO.
				MINI USB A110-536-001
				USB AF A110-558-001

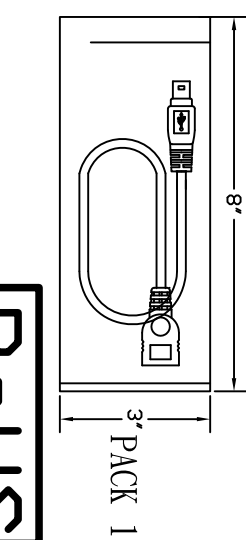
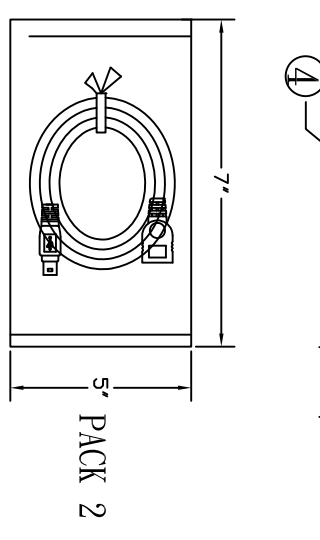
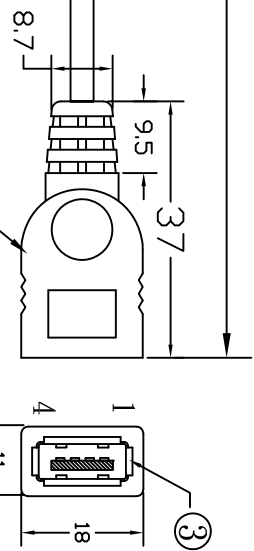
FILE NAME	OW1011002
DATE	14/12/22

SCALE	UNIT	REV
	MM	F

CHECKED BY	Marcos
CONFIRMED BY	
CHECKED BY	
APPROVED BY	



**ROHS**

DRAWN BY

Marcos

