

1

2

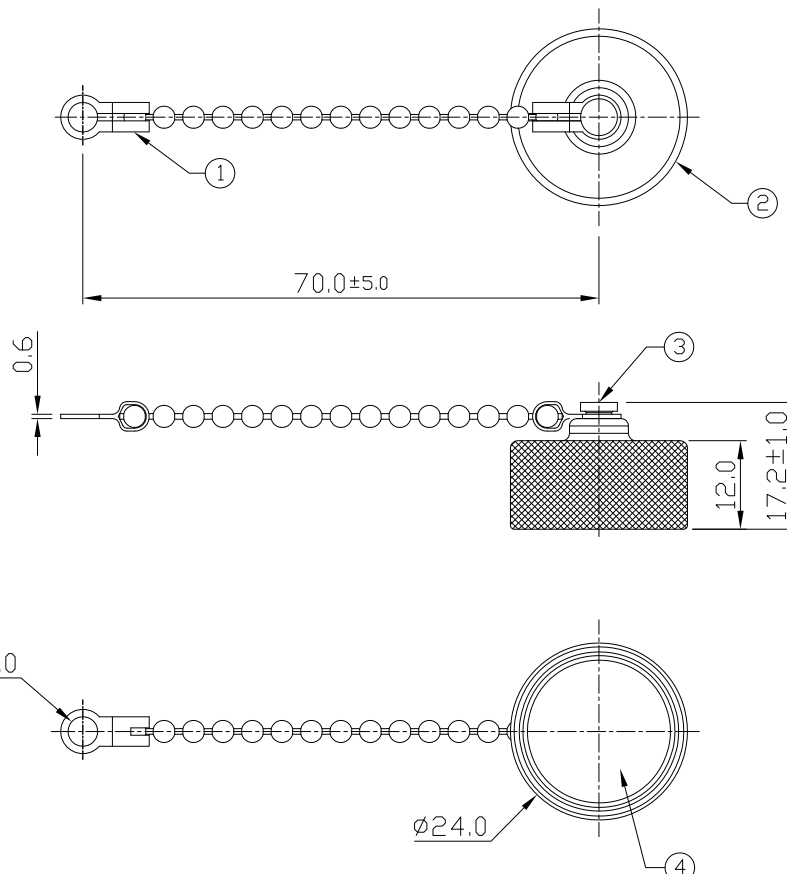
3

4

Notes: (Unless Otherwise Specified)

- 1. Waterproof Rate: IP68.
- 2. RoHS Compliant.


REV	ECN#	DESCRIPTION OF REVISION	DRAW BY DATE	CHECK BY DATE	APPROVE BY DATE
A1	ECN-200602	Modify title.	Aileen 06/05/20	Lucas 06/05/20	Ray 06/05/20



GTC
 DOC.CENTER.ISSUE
 JUN.05.2020
 ONLY FOR
 RELEASE

Item	Part Name	Material / Finish	Q'ty
4	Rubber Pad	Silicone Color: Black	1
3	Metal Rivet	Copper Alloy Finish: Ni Plated	1
2	Metal Screw Cap	Copper Alloy Finish: Ni Plated	1
1	Metal Chain	Stainless Finish:-	1

TITLE Cap Metal For C3 Screw Panel With Metal Chain					DRAWING NUMBER RR-2C213062			REV. A1	
THIRD ANGLE PROJECTION	SIZE B	SCALE 1:1	DRAW / DATE Joyce 05/21/15	CHECK / DATE Lucas 05/21/15	APPROVE / DATE Ray 05/21/15	TOLERANCES X.X ± 0.5 X.XX ± 0.2	ANGLES X.XXX ± 0.05 ± 1°	UNIT mm	SHEET 1/1



THE INFORMATION CONTAINED HEREIN IS PROPRIETARY AND CONFIDENTIAL TO RR BUSINESS VENTURES, LLC. THE POSSESSOR AGREES TO THE FOLLOWING:

1. MAINTAIN THIS DOCUMENT IN CONFIDENCE
2. NOT TO REPRODUCE OR COPY IT
3. NOT TO REVEAL OR PUBLISH IT IN WHOLE OR PART

1

2

3

4