

1

2

3

4

Notes: (Unless Otherwise Specified)

- 1. Waterproof Rate: IP68.
- 2. RoHS Compliant.
- 3. 產品採用無Logo PE袋單PCS包裝,並將標籤貼於袋外.

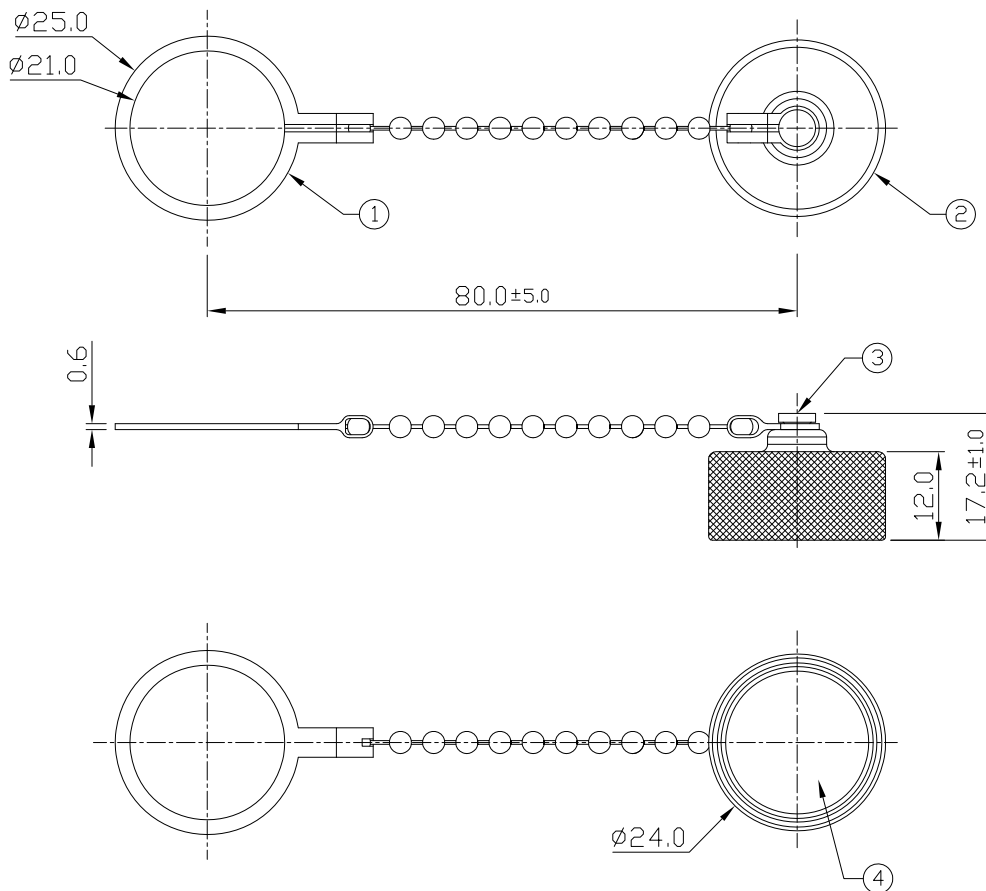
RR-2C213012 (G) \_\_REV:XX\_QTY:1PCS  
**LOT: XXXX**  
**Made in China**

- 4. 每25PCS產品再用無Logo PE袋包裝,並將標籤貼於袋外.

RR-2C213012 (G) \_\_REV:XX\_QTY:25PCS  
**LOT: XXXX**  
**Made in China**

- 5. 標籤上的REV: 請依照成品圖面版本.
- 6. 不可使用夾鍊袋

REV	ECN#	DESCRIPTION OF REVISION	DRAW BY DATE	CHECK BY DATE	APPROVE BY DATE
A0		Mass Production	Hank 05/25/22	Lucas 05/25/22	Ray 05/25/22



GTC  
 DOC.CENTER.ISSUE  
**MAY.25.2022**  
 ONLY FOR  
 RELEASE

4	Rubber Pad	Silicone Color: Black	1
3	Metal Rivet	Copper Alloy Color: Green	1
2	Metal Screw Cap	Copper Alloy Color: Green	1
1	Metal Chain	SUS 304 Color: Green	1
Item	Part Name	Material / Finish	Q'ty

TITLE						DRAWING NUMBER			REV.
Cap Metal For RJ45 C3 Screw Panel With Metal Chain						RR-2C213012(G)			A0
	B	1:1	Hank 05/25/22	Lucas 05/25/22	Ray 05/25/22	X.X ± 0.5 X.XX ± 0.2	X.XXX ± 0.05 ANGLES ± 1°	mm	1/1
THIRD ANGLE PROJECTION	SIZE	SCALE	DRAW / DATE	CHECK / DATE	APPROVE / DATE	TOLERANCES		UNIT	SHEET

**USB FIREWIRE.com**

THE INFORMATION CONTAINED HEREIN IS PROPRIETARY AND CONFIDENTIAL TO RR BUSINESS VENTURES, LLC. THE POSSESSOR AGREES TO THE FOLLOWING:  
 1. MAINTAIN THIS DOCUMENT IN CONFIDENCE  
 2. NOT TO REPRODUCE OR COPY IT  
 3. NOT TO REVEAL OR PUBLISH IT IN WHOLE OR PART

1

2

3

4