

1

2

3

4

Notes: (Unless Otherwise Specified)

- 1. Waterproof Rate: IP68.
- 2. Recommend Panel Thickness: 0.8 To 4.5 mm.
- 3. Recommend Torque: 19~20 Kgf-cm.
- 4. RoHS Compliant.
- 5. 產品採用無Logo PE袋單PCS包裝,並將標籤貼於袋外.

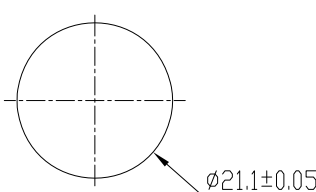
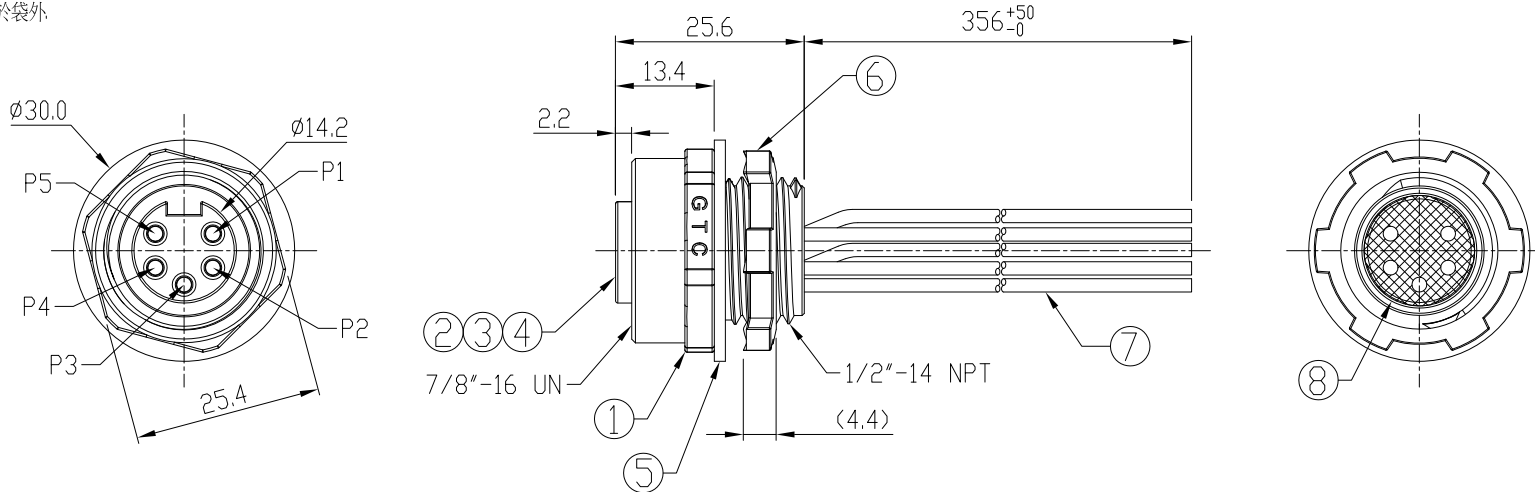
RR-272203-22058-14_REV:XX_QTY:1PCS
 LOT: XXXX
 Made in China

- 6. 每25PCS產品再用防水袋包裝,並將標籤貼於袋外.

RR-272203-22058-14_REV:XX_QTY:25PCS
 LOT: XXXX
 Made in China

- 7. 標籤上的REV: 請依照成品圖面版本.
- 8. 不可使用夾鍊袋.

REV	ECN#	DESCRIPTION OF REVISION	DRAW BY DATE	CHECK BY DATE	APPROVE BY DATE
01			Viola 08/02/18	Lucas 08/02/18	Ray 08/02/18



Recommend Panel Cut-Out



Wiring Diagram

GTC
 DOC.CENTER.ISSUE
 AUG.02.2018
 ONLY FOR RELEASE

Item	Part Name	Material / Finish	Q'ty
8	Glue	Epoxy Color: Black	
7	Wire	UL1015 16AWG, 105°C 600V Color: See Wiring Diagram	5
6	Hex Nut	Zinc Alloy Finish: Ni Plated	1
5	Gasket	Viton Color: Black	1
4	Sleeve	Copper Alloy Finish: Ni Plated	5
3	Contacts	Copper Alloy Finish: Au Plated	5
2	Housing	PVC Color: Black	1
1	Metal Body	Zinc Alloy Finish: Ni Plated	1

TITLE						DRAWING NUMBER			REV.
Mini 8A 5P Panel Rear Mount Female With 16# Wire						RR-272203-22058-14			01
DD NOT SCALE DRAWINGS	B	1:1	Viola 08/02/18	Lucas 08/02/18	Ray 08/02/18	X.X ± 0.5 X.XX ± 0.2	X.XXX ± 0.05 ANGLES ± 1°	mm	1/1
THIRD ANGLE PROJECTION	SIZE	SCALE	DRAW / DATE	CHECK / DATE	APPROVE / DATE	TOLERANCES		UNIT	SHEET

THE INFORMATION CONTAINED HEREIN IS PROPRIETARY AND CONFIDENTIAL TO RR BUSINESS VENTURES, LLC. THE POSSESSOR AGREES TO THE FOLLOWING:
 1. MAINTAIN THIS DOCUMENT IN CONFIDENCE
 2. NOT TO REPRODUCE OR COPY IT
 3. NOT TO REVEAL OR PUBLISH IT IN WHOLE OR PART

1

2

3

4