

Notes: (Unless Otherwise Specified)

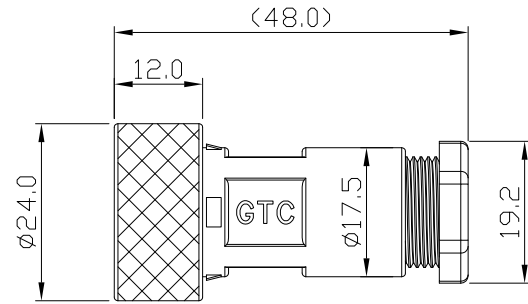
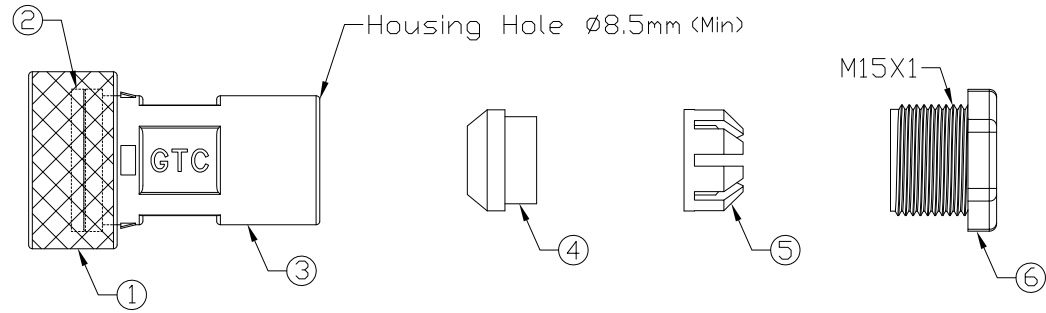
1. Waterproof Rate: IP68.
2. Cable Diameter: 6.0 to 8.5 mm.
3. Recommend Gland Nut Torque: 9.0 to 10.0 Kgf-cm.
4. Matting No: GT225500 Series.
5. RoHS Compliant.
6. 產品採用無Logo PE袋單PCS包裝; 並將標籤貼於袋外.

RR-225580-A0_REV:XX_QTY:1PCS
LOT: XXXX
Made in China

7. 每25PCS產品再用無Logo PE袋包裝; 並將標籤貼於袋外.

RR-225580-A0_REV:XX_QTY:25PCS
LOT: XXXX
Made in China

REV	ECN#	DESCRIPTION OF REVISION	DRAW BY DATE	CHECK BY DATE	APPROVE BY DATE
A0			Aileen 12/29/20	Lucas 12/29/20	Ray 12/29/20



Item	Part Name	Material / Finish	Qty
6	Gland Nut	Thermoplastic Color: Black	1
5	Cage	Thermoplastic Color: White	1
4	Gland	Silicone Color: Red	1
3	Housing	Thermoplastic Color: Black	1
2	Rubber Pad	Silicone Color: Black	1
1	Screw Nut	Copper Alloy Finish: Ni Plated	1

TITLE RJ45 Metal C3 Shielded E1 Field Installable Cable End W/O Plug Screw						DRAWING NUMBER RR-225580-A0			REV. A0		
	B	1:1	Aileen 12/29/20	Lucas 12/29/20	Ray 12/29/20	X.X X.XX	± 0.5 ± 0.2	X.XXX ANGLES	± 0.05 ± 1°	mm	1/1
THIRD ANGLE PROJECTION	SIZE	SCALE	DRAW / DATE	CHECK / DATE	APPROVE / DATE	TOLERANCES			UNIT	SHEET	

THE INFORMATION CONTAINED HEREIN IS PROPRIETARY AND CONFIDENTIAL TO RR BUSINESS VENTURES, LLC. THE POSSESSOR AGREES TO THE FOLLOWING

1. MAINTAIN THIS DOCUMENT IN CONFIDENCE
2. NOT TO REPRODUCE OR COPY IT
3. NOT TO REVEAL OR PUBLISH IT IN WHOLE OR PART