

1

2

3

4

Notes: (Unless Otherwise Specified)

- 1. Waterproof Rate: IP68.
- 2. RoHS Compliant.
- 3. 產品採用無Logo PE袋單PCS包裝,並將標籤貼於袋外.

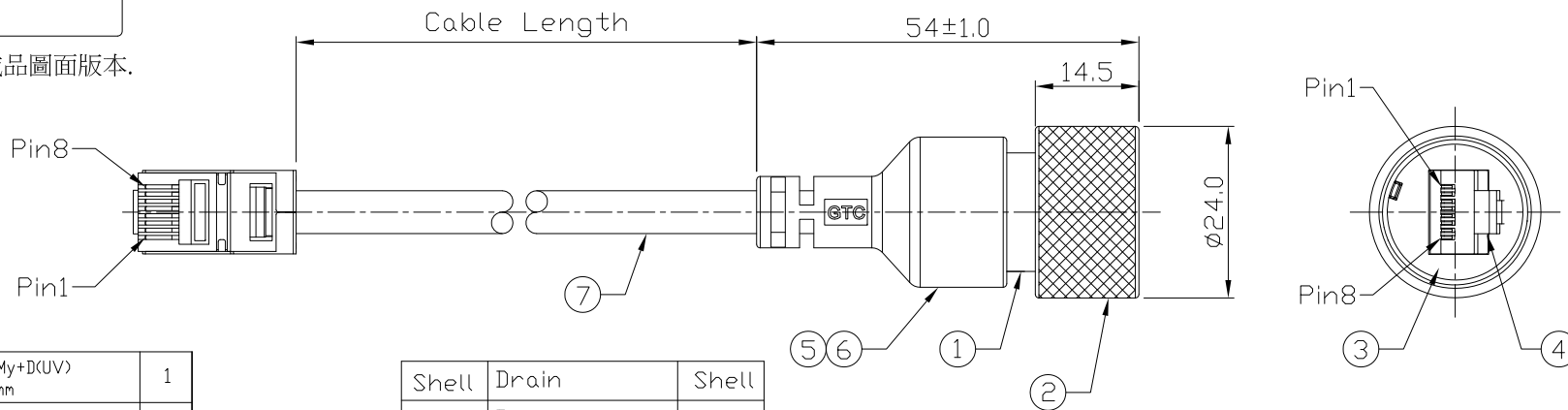
RR-225320-06-XX\_REV:XX\_QTY:1PCS  
**LOT: XXXX**  
**Made in China**

- 4. 每25PCS產品再用防水袋包裝,並將標籤貼於袋外.

RR-225320-06-XX\_REV:XX\_QTY:25PCS  
**LOT: XXXX**  
**Made in China**

- 5. 標籤上的REV: 請依照成品圖面版本.
- 6. 不可使用夾鍊袋.

REV	ECN#	DESCRIPTION OF REVISION	DRAW BY DATE	CHECK BY DATE	APPROVE BY DATE
A0		Mass Production	Joyce 09/02/16	Lucas 09/02/16	Ray 09/02/16



7	Cable	CAT5E 24AWG*4P+ALMy+D(UV) Color: Black, OD=6.0mm	1
6	Over Mold	PVC Color: Black	1
5	Inner Mold	Thermoplastic Color: White or Black	1
4	RJ45 Plug	Shell: Cold Roll Steel Finish: Ni Plated	2
		Housing: Thermoplastic Color: Clean	
		Contacts: Copper Alloy Finish: Au Plated	
3	Rubber Pad	Silicone Color: Black	1
2	Screw Nut	Copper Alloy Finish: Ni Plated	1
1	Housing	Thermoplastic Color: Black	1
Item	Part Name	Material / Finish	Qty

Shell	Drain	Shell	
8	Brown	8	Twist
7	White/Brown	7	
6	Green	6	Twist
5	White/Blue	5	
4	Blue	4	Twist
3	White/Green	3	
2	Orange	2	Twist
1	White/Orange	1	
Plug		Wire Color	Conn.
Pin Out			

GTC  
 DOC.CENTER.ISSUE  
 OCT.14.2019  
 ONLY FOR  
 RELEASE

RR-225320-06-196	5000 mm	+150
RR-225320-06-118	3000 mm	+100
Part No.	Cable Length	Tol.

TITLE RJ45 Metal C3 Shielding Cable End Plug Screw With Cable + RJ45 Plug						DRAWING NUMBER RR-225320-06-XX			REV. A0	
	B	1:1	Joyce 09/02/16	Lucas 09/02/16	Ray 09/02/16	X.X ± 0.5 X.XX ± 0.2	X.XXX ± 0.05 ANGLES ± 1°	mm	1/1	
THIRD ANGLE PROJECTION	SIZE	SCALE	DRAW / DATE	CHECK / DATE	APPROVE / DATE	TOLERANCES		UNIT	SHEET	

USB FIREWIRE.com

THE INFORMATION CONTAINED HEREIN IS PROPRIETARY AND CONFIDENTIAL TO RR BUSINESS VENTURES, LLC. THE POSSESSOR AGREES TO THE FOLLOWING

1. MAINTAIN THIS DOCUMENT IN CONFIDENCE
2. NOT TO REPRODUCE OR COPY IT
3. NOT TO REVEAL OR PUBLISH IT IN WHOLE OR PART

1

2

3

4