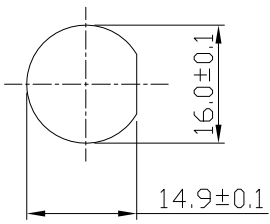
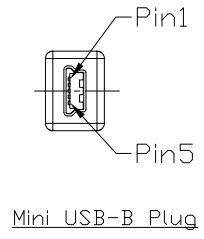
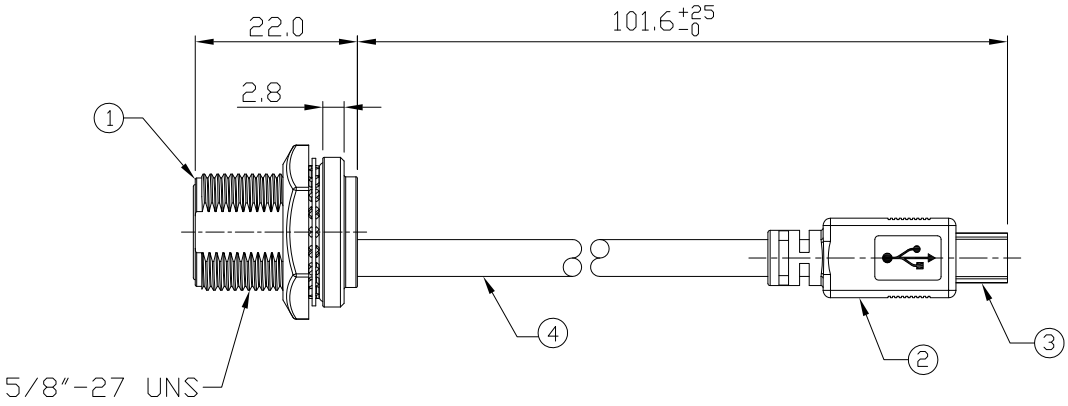
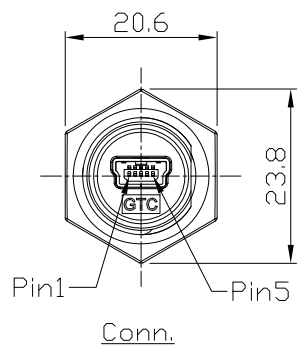


Notes: (Unless Otherwise Specified)

1. Waterproof Rate: IP68.
2. Recommend Panel Thickness: 0.8 to 8.0 mm.
3. Recommend Torque: 19~20 Kgf-cm.
4. Mating Cap P/N: GT1C5231X2/GT2C123012.
5. RoHS Compliant.
6. Pack each cable in a poly bag and 25pcs in a poly bag.

RR-214300-07-04_REV:XX_QTY:1PCS
LOT: XXXX
Made in XXXXX

RR-214300-07-04_REV:XX_QTY:25PCS
LOT: XXXX
Made in XXXXX



1	Red	1
2	White	2
3	Green	3
4	Yellow	4
5	Black	5
Shell	Drain	Shell

Twist Conn. Mini USB-B Plug

4	Cable	UL2725 1P*28AWG+3C*24AWG+Al/My+D+B Color: Black,DD=5.0mm	1
3	Mini USB-B Plug	Housing: Thermoplastic, Color: Black Contacts: Copper Alloy, Finish: Au Plated Shell: SPCC, Finish: Ni Plated	1
2	Over Mold	PVC Color: Black	1
1	Mini USB-B Metal C2 Panel Jack Screw With Cable	GTC Connector P/N: GT214300-03-XX	1
Item	Part Name	Material / Finish	Q'ty

Recommend Panel Cut-Out

Wiring Diagram

GTC
 DOC.CENTER.ISSUE
 MAR.06.2023
 ONLY FOR
 RELEASE

TITLE: Mini USB-B Metal C2 Panel Jack Screw With Mini USB-B Plug
 DRAWING NUMBER: RR-214300-07-04
 REV: A0

THIRD ANGLE PROJECTION	SIZE: B	SCALE: 1:1	DRAW / DATE: Jenny 03/06/23	CHECK / DATE: Lucas 03/06/23	APPROVE / DATE: Ray 03/06/23	TOLERANCES: X.X ± 0.5, X.XX ± 0.2, X.XXX ANGLES ± 0.05, ± 1°	UNIT: mm	SHEET: 1/1
------------------------	---------	------------	-----------------------------	------------------------------	------------------------------	--	----------	------------

THE INFORMATION CONTAINED HEREIN IS PROPRIETARY AND CONFIDENTIAL TO RR BUSINESS VENTURES, LLC. THE POSSESSOR AGREES TO THE FOLLOWING

1. MAINTAIN THIS DOCUMENT IN CONFIDENCE
2. NOT TO REPRODUCE OR COPY IT
3. NOT TO REVEAL OR PUBLISH IT IN WHOLE OR PART