

Notes: (Unless Otherwise Specified)

1. Waterproof Rate: IP68.
2. Recommend Panel Thickness: 0.8 to 8.0 mm.
3. Recommend Torque: 19~20 Kgf-cm.
4. Mating Cap: GT1C543122.
5. RoHS Compliant.
6. 產品採用無Logo PE袋單PCS包裝;並將標籤貼於袋外.

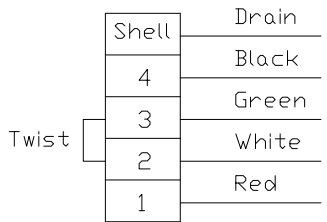
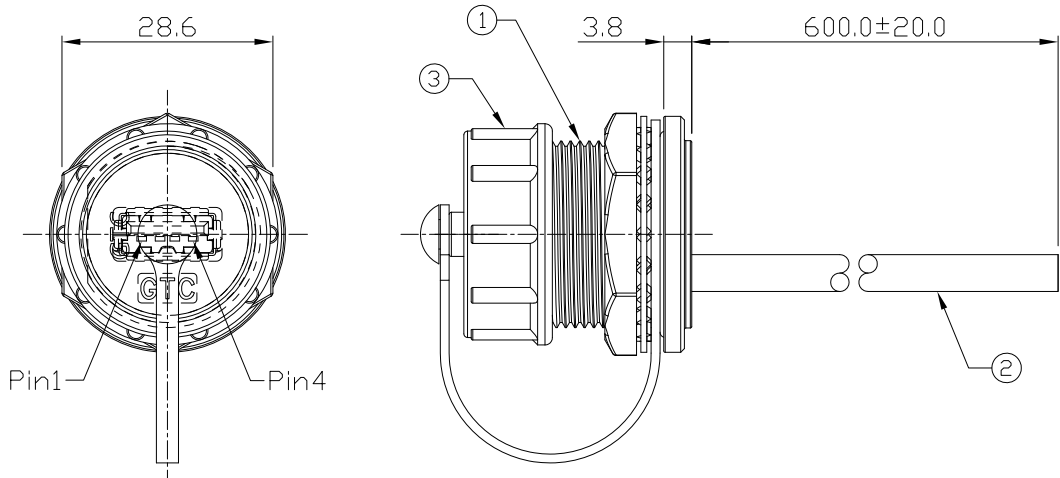
RR-211300-03-24C_REV:XX_QTY:1PCS
LOT: XXXX
Made in China

7. 每25PCS產品再用防水袋包裝;並將標籤貼於袋外.

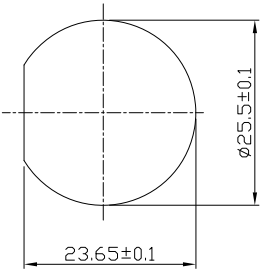
RR-211300-03-24C_REV:XX_QTY:25PCS
LOT: XXXX
Made in China

8. 標籤上的REV: 請依照成品圖面版本.
9. 不可使用夾鍊袋.

GTC
 DOC.CENTER.ISSUE
 NOV.03.2023
 ONLY FOR
 RELEASE



Wiring Diagram




Recommend Panel Cut-Out

3	Cap Plastic For C4 Screw Panel With Rubber Chain	GT Contact P/N: GT1C543122	1
2	USB Cable	UL2725 1P*28AWG+2C*24AWG+AU/My+D+B OD=5.0±0.2, Color: Black	1
1	USB-A Metal C4 Panel Jack Screw	GT Contact P/N: GT211300-03-XX	1
Item	Part Name	Material / Finish	Q'ty

TITLE USB-A Metal C4 Panel Jack Screw With 0.6M Cable + Cap				DRAWING NUMBER RR-211300-03-24C			REV. A1	
--	--	--	--	------------------------------------	--	--	------------	--

THIRD ANGLE PROJECTION	SIZE B	SCALE 1:1	DRAW / DATE Joyce 10/09/13	CHECK / DATE Lucas 10/09/13	APPROVE / DATE Ray 10/09/13	TOLERANCES X.X ± 0.5 X.XX ± 0.2	UNIT mm	SHEET 1/1
------------------------	-----------	--------------	-------------------------------	--------------------------------	--------------------------------	---------------------------------------	------------	--------------


USB FIREWIRE.com

THE INFORMATION CONTAINED HEREIN IS PROPRIETARY AND CONFIDENTIAL TO RR BUSINESS VENTURES, LLC. THE POSSESSOR AGREES TO THE FOLLOWING

1. MAINTAIN THIS DOCUMENT IN CONFIDENCE
2. NOT TO REPRODUCE OR COPY IT
3. NOT TO REVEAL OR PUBLISH IT IN WHOLE OR PART

REV	ECN#	DESCRIPTION OF REVISION	DRAW BY DATE	CHECK BY DATE	APPROVE BY DATE
A1	ECN-231102	Change The Part Number (mm To Inches).	Aileen 11/03/23	Hank 11/03/23	Lucas 11/03/23