

Notes: (Unless Otherwise Specified)

1. Waterproof Rate: IP68.
2. RoHS Compliant.
3. 產品採用無Logo PE袋單PCS包裝, 並將標籤貼於袋外.

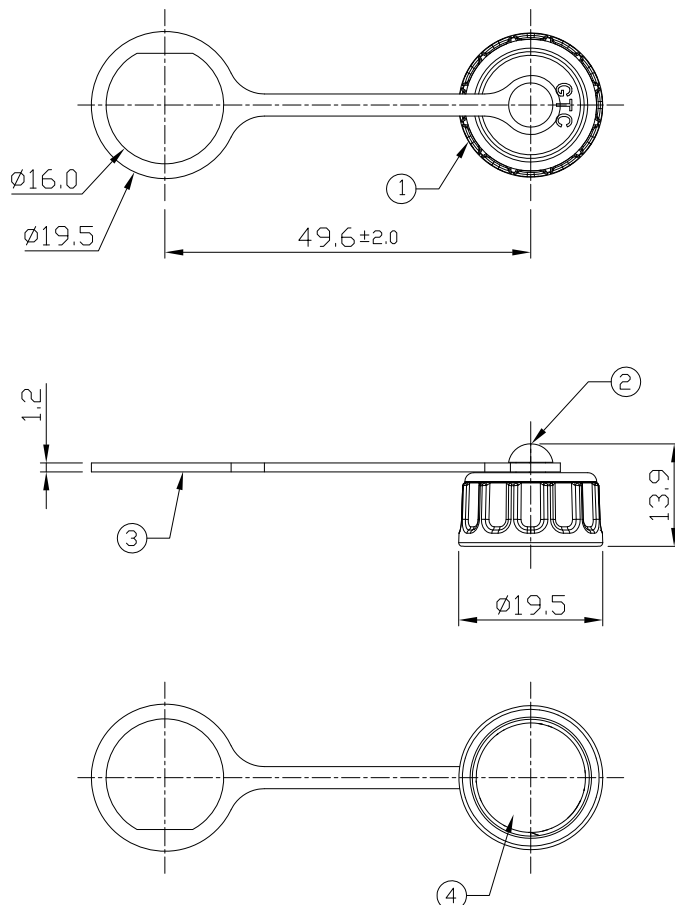
RR-1C523122\_REV:XX\_QTY:1PCS  
**LOT: XXXX**  
**Made in China**

4. 每25PCS產品再用無Logo PE袋包裝, 並將標籤貼於袋外.

RR-1C523122\_REV:XX\_QTY:25PCS  
**LOT: XXXX**  
**Made in China**

5. 標籤上的REV: 請依照成品圖面版本.
6. 不可使用夾鍊袋

REV	ECN#	DESCRIPTION OF REVISION	DRAW BY DATE	CHECK BY DATE	APPROVE BY DATE
A3	ECN-200114	Marked Modify & Redraw	Hank 01/10/20	Lucas 01/10/20	Ray 01/10/20
A4	ECN-200914	Change The Material Of Rubber Chain, TPE -> NBR.	Aileen 09/17/20	Lucas 09/17/20	Ray 09/17/20



4	Rubber Pad	Rubber Color: Black	1
3	Rubber Chain	NBR Color: Black	1
2	Plastic Rivet	Thermoplastic Color: Black	1
1	Screw Cap	Thermoplastic Color: Black	1
Item	Part Name	Material / Finish	Qty

GTC  
 DOC.CENTER.ISSUE  
 SEP.23.2020  
 ONLY FOR  
 RELEASE

TITLE						DRAWING NUMBER			REV.	
Cap Plastic For C2 Screw Panel With Rubber Chain						RR-1C523122			A4	
	B	1:1	Joyce 06/20/12	Lucas 06/20/12	Ray 06/20/12	X.X ± 0.5 X.XX ± 0.2	X.XXX ± 0.05 ANGLES ± 1°	mm	1/1	
THIRD ANGLE PROJECTION	SIZE	SCALE	DRAW / DATE	CHECK / DATE	APPROVE / DATE	TOLERANCES		UNIT	SHEET	

**USB FIREWIRE.com**

THE INFORMATION CONTAINED HEREIN IS PROPRIETARY AND CONFIDENTIAL TO RR BUSINESS VENTURES, LLC. THE POSSESSOR AGREES TO THE FOLLOWING:  
 1. MAINTAIN THIS DOCUMENT IN CONFIDENCE  
 2. NOT TO REPRODUCE OR COPY IT  
 3. NOT TO REVEAL OR PUBLISH IT IN WHOLE OR PART