

1

2

3

4

Note:

- 1. Waterproof Rate: IP68.
- 2. Recommend Cable Diameter: 3.5~4.0 mm.
- 3. Recommend Cover Torque: 5.0~6.0 Kgf-cm.
- 4. Recommend Gland Nut Torque: 5.0~6.0 Kgf-cm.
- 5. RoHS Compliant.
- 6. 產品採用無Logo PE袋單PCS包裝;並將標籤貼於袋外.

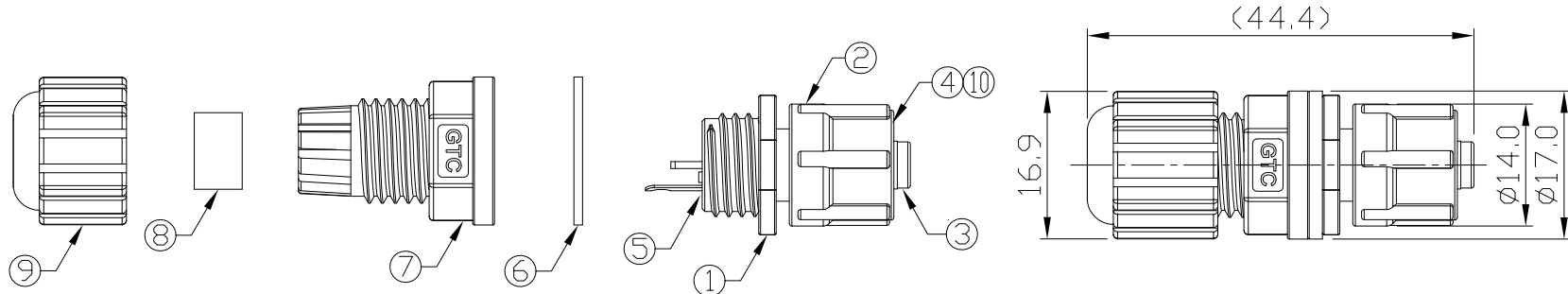
RR-1B2202_REV:XX_QTY:1PCS
 LOT: XXXX
 Made in China

- 7. 每25PCS產品再用無Logo PE袋包裝;並將標籤貼於袋外.

RR-1B2202_REV:XX_QTY:25PCS
 LOT: XXXX
 Made in China

- 8. 標籤上的REV: 請依照成品圖面版本.
- 9. 不可使用夾鍊袋.

REV	ECN#	DESCRIPTION OF REVISION	DRAW BY DATE	CHECK BY DATE	APPROVE BY DATE
01			Viola 04/12/18	Lucas 04/12/18	Ray 04/12/18



5	Glue	Epoxy Color: Black	/	10	C-Ring	SWB Finish: Zn Plated	1
4	O-Ring	Silicone Color: Red	1	9	Gland Nut	Thermoplastic Color: Black	1
3	DC Plug	Housing: Thermoplastic; Color: Black Neg. Terminal: Copper Alloy; Finish: Ni Plated Pos. Terminal: Copper Alloy; Finish: Ni Plated	1	8	Gland	NBR Color: Black	1
2	Screw Nut	Thermoplastic Color: Black	1	7	Cover	Thermoplastic Color: Black	1
1	Housing	Thermoplastic Color: Black	1	6	Gasket	EPDM Color: Black	1
Item	Part Name	Material / Finish	Q'ty	Item	Part Name	Material / Finish	Q'ty

GTC
 DOC.CENTER.ISSUE
 APR.12.2018
 ONLY FOR
 RELEASE

TITLE						DRAWING NUMBER			REV.
DC 2.0mm Field Installable Cable End Plug Screw						RR-1B2202			01
	B	1:1	Viola 04/12/18	Lucas 04/12/18	Ray 04/12/18	X.X ± 0.5 X.XX ± 0.2	X.XXX ± 0.05 ANGLES ± 1°	mm	1/1
THIRD ANGLE PROJECTION	SIZE	SCALE	DRAW / DATE	CHECK / DATE	APPROVE / DATE	TOLERANCES		UNIT	SHEET

USB FIREWIRE.com

THE INFORMATION CONTAINED HEREIN IS PROPRIETARY AND CONFIDENTIAL TO RR BUSINESS VENTURES, LLC. THE POSSESSOR AGREES TO THE FOLLOWING

1. MAINTAIN THIS DOCUMENT IN CONFIDENCE
2. NOT TO REPRODUCE OR COPY IT
3. NOT TO REVEAL OR PUBLISH IT IN WHOLE OR PART

1

2

3

4