

1

2

3

4

Notes: (Unless Otherwise Specified)

- 1. Waterproof Rate: IP68.
- 2. RoHS Compliant.
- 3. 產品採用無Logo PE袋單PCS包裝, 並將標籤貼於袋外.

RR-152225-152234-01-700_REV:XX_QTY:1PCS
LOT: XXXX
Made in China

- 4. 每25PCS產品再用防水袋包裝, 並將標籤貼於袋外.

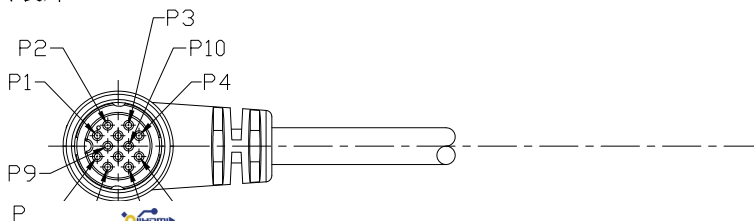
RR-152225-152234-01-700_REV:XX_QTY:25PCS
LOT: XXXX
Made in China

- 5. 標籤上的REV: 請依照成品圖面版本.
- 6. 不可使用夾鍊袋

| REV | ECN# | DESCRIPTION OF REVISION | DRAW BY DATE | CHECK BY DATE | APPROVE BY DATE |
|-----|------|-------------------------|------------------|----------------|-----------------|
| 01 | | | Whitney 06/20/19 | Lucas 06/20/19 | Ray 06/20/19 |

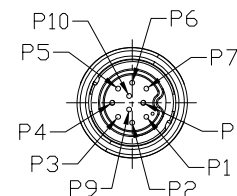
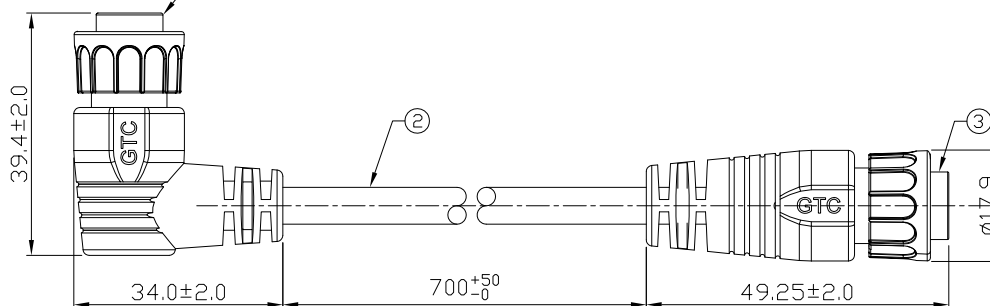
| | | |
|----|--------|----|
| 1 | Brown | 1 |
| 2 | Blue | 2 |
| 3 | White | 3 |
| 4 | Green | 4 |
| 5 | Yellow | 5 |
| 6 | Gray | 6 |
| 7 | Violet | 7 |
| 8 | Red | 8 |
| 9 | Black | 9 |
| 10 | Orange | 10 |

Wiring Diagram



USB FIREWIRE.com
 THE INFORMATION CONTAINED HEREIN IS PROPRIETARY AND CONFIDENTIAL TO RR BUSINESS VENTURES, LLC. THE POSSESSOR AGREES TO THE FOLLOWING:
 1. MAINTAIN THIS DOCUMENT IN CONFIDENCE
 2. NOT TO REPRODUCE OR COPY IT
 3. NOT TO REVEAL OR PUBLISH IT IN WHOLE OR PART

GTC
 DOC.CENTER.ISSUE
 JUN.27.2019
 ONLY FOR
 RELEASE



| Item | Part Name | Material / Finish | QTY |
|------|-------------------------------------|---|-----|
| 3 | C2 2A 10P Cable End Male Lock | GT Contact P/N: GT152234-21101-XX | 1 |
| 2 | Cable | UL2464 26AWG*10C+D+Al/My DD=6.0mm, Color:Black | 1 |
| 1 | C2 2A 10P Cable End 90° Female Lock | GT Contact P/N: GT152225-21101-XX | 1 |

| | | | | | | | | |
|--|--|--|--|--|--|--|--|---------|
| TITTLE C2 2A 10P Cable End 90° Female Lock + C2 2A 10P Cable End Male Lock Twin-head With Cable | | | | | DRAWING NUMBER RR-152225-152234-01-700 | | | REV. 01 |
|--|--|--|--|--|--|--|--|---------|

| THIRD ANGLE PROJECTION | SIZE | SCALE | DRAW / DATE | CHECK / DATE | APPROVE / DATE | TOLERANCES | UNIT | SHEET |
|------------------------|------|-------|------------------|----------------|----------------|-------------------------|------|-------|
| DD NOT SCALE DRAWINGS | B | 1:1 | Whitney 06/20/19 | Lucas 06/20/19 | Ray 06/20/19 | X.X ± 0.5 X.XX ± 0.2 | mm | 1/1 |

USB FIREWIRE.com
 THE INFORMATION CONTAINED HEREIN IS PROPRIETARY AND CONFIDENTIAL TO RR BUSINESS VENTURES, LLC. THE POSSESSOR AGREES TO THE FOLLOWING:
 1. MAINTAIN THIS DOCUMENT IN CONFIDENCE
 2. NOT TO REPRODUCE OR COPY IT
 3. NOT TO REVEAL OR PUBLISH IT IN WHOLE OR PART

1

2

3

4