

Notes: (Unless Otherwise Specified)

- 1. Waterproof Rate: IP68.
- 2. RoHS Compliant.
- 3. 產品採用無Logo PE袋單PCS包裝,並將標籤貼於袋外.

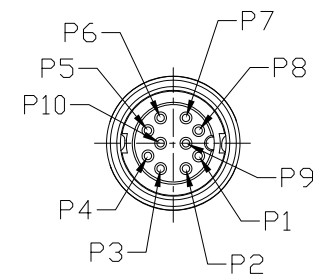
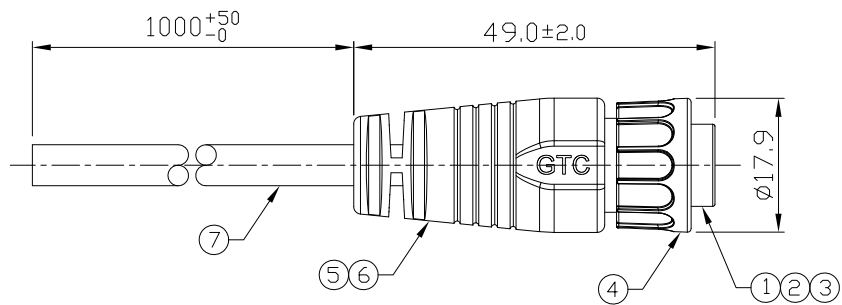
RR-152224-21101-01_REV:XX_QTY:1PCS
LOT: XXXX
Made in China

- 4. 每25PCS產品再用防水袋包裝,並將標籤貼於袋外.

RR-152224-21101-01_REV:XX_QTY:25PCS
LOT: XXXX
Made in China

- 5. 標籤上的REV: 請依照成品圖面版本.
- 6. 不可使用夾鍊袋

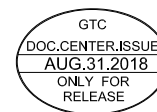
REV	ECN#	DESCRIPTION OF REVISION	DRAW BY DATE	CHECK BY DATE	APPROVE BY DATE
A0			Whitney 08/31/18	Lucas 08/31/18	Ray 08/31/18



1	Brown
2	Blue
3	White
4	Green
5	Yellow
6	Gray
7	Violet
8	Red
9	Black
10	Orange

Wiring Diagram

Item	Part Name	Material / Finish	Q'TY
7	Cable	UL2464 26AWG*10C+D+Al/My ØD=6.0mm, Color:Black	1
6	Over Mold	PVC Color: Black	1
5	Inner Mold	Thermoplastic Color: White	1
4	Lock Nut	Thermoplastic Color: Black	1
3	O-Ring	Silicone Color: Red	1
2	Contacts	Copper Alloy Finish: Au Plated	10
1	Housing	Thermoplastic Color: Black	1



TITILE C2 2A 10P Cable End Female Lock						DRAWING NUMBER RR-152224-21101-01			REV. A0	
THIRD ANGLE PROJECTION	SIZE	SCALE	DRAW / DATE	CHECK / DATE	APPROVE / DATE	TOLERANCES		UNIT	SHEET	
DD NOT SCALE DRAWINGS	B	1:1	Whitney 08/31/18	Lucas 08/31/18	Ray 08/31/18	X.X ± 0.5 X.XX ± 0.2	X.XXX ± 0.05 ANGLES ± 1°	mm	1/1	

THE INFORMATION CONTAINED HEREIN IS PROPRIETARY AND CONFIDENTIAL TO RR BUSINESS VENTURES, LLC. THE POSSESSOR AGREES TO THE FOLLOWING

1. MAINTAIN THIS DOCUMENT IN CONFIDENCE
2. NOT TO REPRODUCE OR COPY IT
3. NOT TO REVEAL OR PUBLISH IT IN WHOLE OR PART