

1

2

3

4

Notes: (Unless Otherwise Specified)

- 1. Waterproof Rate: IP68.
- 2. Cable Diameter: 6.0 to 8.5mm
- 3. Recommend Gland Nut Torque: 9.0 to 10.0 Kgf-cm.
- 4. RoHS Compliant
- 5. 產品採用無Logo PE袋單PCS包裝, 並將標籤貼於袋外.

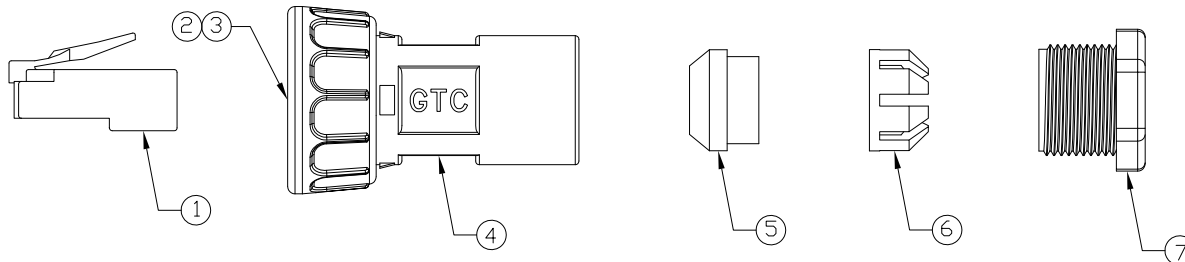
RR-125360-A0_REV:XX_QTY:1PCS
LOT: XXXX
Made in China

- 6. 每25PCS產品再用無Logo PE袋包裝, 並將標籤貼於袋外.

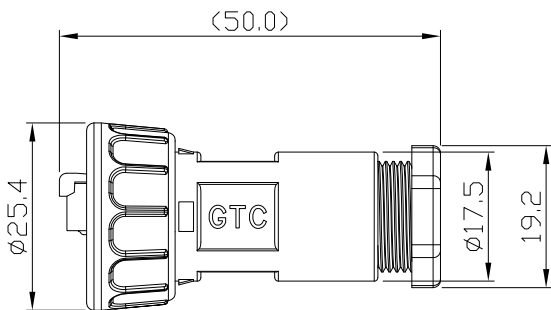
RR-125360-A0_REV:XX_QTY:25PCS
LOT: XXXX
Made in China

- 7. 標籤上的REV: 請依照成品圖面版本.
- 8. 不可使用夾鍊袋

REV	ECN#	DESCRIPTION OF REVISION	DRAW BY DATE	CHECK BY DATE	APPROVE BY DATE
A0		Mass Production	Whitney 04/08/19	Lucas 04/08/19	Ray 04/08/19



7	Gland Nut	Thermoplastic Color: Black	1
6	Cage	Thermoplastic Color: White	1
5	Gland	Silicone Color: Red	1
4	Housing	Thermoplastic Color: Black	1
3	Screw Nut	Thermoplastic Color: Black	1
2	Rubber Pad	Silicone Color: Black	1
1	RJ45 Plug	Housing: Thermoplastic, Color: Clean Contacts: Copper Alloy, Finish: Au Plated Shell: Cold Roll Steel, Finish: Ni Plated	1
Item	Part Name	Material / Finish	Q'ty



GTC
 DOC.CENTER.ISSUE
 APR.08.2019
 ONLY FOR
 RELEASE

TITLE RJ45 Plastic C3 Shielded E1 Field Installable Cable End Plug Screw						DRAWING NUMBER RR-125360-A0			REV. A0		
	B	1:1	Whitney 04/08/19	Lucas 04/08/19	Ray 04/08/19	X.X X.XX	± 0.5 ± 0.2	X.XXX ANGLES	± 0.05 $\pm 1^\circ$	mm	1/1
THIRD ANGLE PROJECTION	SIZE	SCALE	DRAW / DATE	CHECK / DATE	APPROVE / DATE	TOLERANCES			UNIT	SHEET	

USB FIREWIRE.com

THE INFORMATION CONTAINED HEREIN IS PROPRIETARY AND CONFIDENTIAL TO RR BUSINESS VENTURES, LLC. THE POSSESSOR AGREES TO THE FOLLOWING

1. MAINTAIN THIS DOCUMENT IN CONFIDENCE
2. NOT TO REPRODUCE OR COPY IT
3. NOT TO REVEAL OR PUBLISH IT IN WHOLE OR PART

1

2

3

4