

1

2

3

4

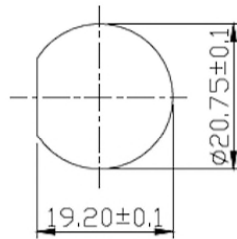
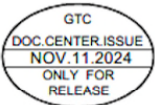
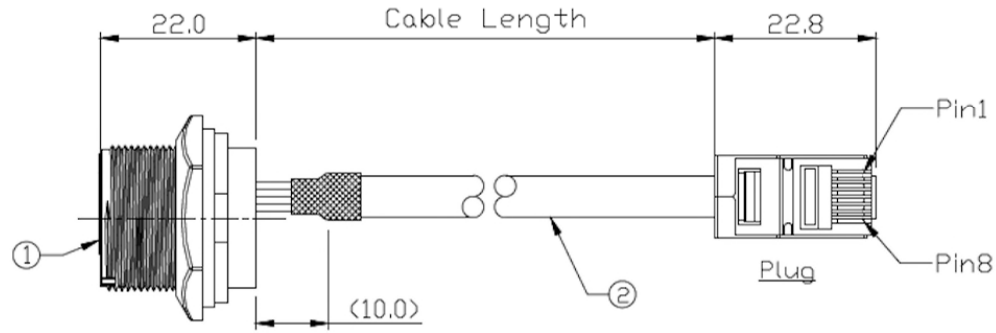
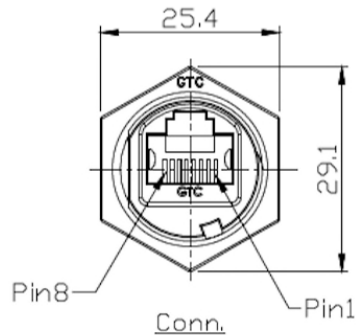
Notes: (Unless Otherwise Specified)

- 1. Waterproof Rate: IP68.
- 2. Recommend Panel Thickness: 0.8 to 4.0 mm.
- 3. Recommend Torque: 14~15 Kgf-cm.
- 4. Mating Cap P/N: RR-1C5331X2.
- 5. RoHS Compliant.
- 6. Pack each cable in a poly bag and 25pcs in a poly bag.

RR-125300-03-XX_REV:XX_QTY:1PCS
 LOT: XXXX
 Made in XXXXX

RR-125300-03-XX_REV:XX_QTY:25PCS
 LOT: XXXX
 Made in XXXXX

REV	ECN#	DESCRIPTION OF REVISION	DRAW BY DATE	CHECK BY DATE	APPROVE BY DATE
A3	ECN-200505	Modify Tolerance	Whitney 05/11/20	Lucas 05/11/20	Ray 05/11/20
A4	ECN-231102	Change The Unit of Length (mm To Inches).	Alleen 11/03/23	Hank 11/03/23	Lucas 11/03/23



Recommended Panel Cut-Out



Wiring Diagram

RR-125300-03-32	800 mm	+50
RR-125300-03-16	407 mm	+50
RR-125300-03-12	300 mm	+25
RR-125300-03-05	127 mm	+25
RR-125300-03-04	101.6 mm	+25
Part No.	Cable Length	Tol.

2	Cable	CAT5E 24AWG*4P+Al/My+D OD=6.0mm, Color: Gray	1
1	RJ45 Plastic C3 Shielded Panel Jack Screw		1
Item	Part Name	Material / Finish	Q'ty

TITLE						DRAWING NUMBER			REV.	
RJ45 Plastic C3 Shielded Panel Jack Screw Inside PCB With Cable + RJ45 Plug						RR-125300-03-XX			A4	
THIRD ANGLE PROJECTION		SIZE	SCALE	DRAW / DATE	CHECK / DATE	APPROVE / DATE	TOLERANCES	UNIT	SHEET	
		B	1:1	Joyce 12/11/14	Lucas 12/11/14	Ray 12/11/14	X.X ± 0.5 X.XX ± 0.2	mm	1/1	
							X.XXX ± 0.05 ANGLES ± 1°			

USB FIREWIRE.com

THE INFORMATION CONTAINED HEREIN IS PROPRIETARY AND CONFIDENTIAL TO RR BUSINESS VENTURES, LLC. THE POSSESSOR AGREES TO THE FOLLOWING:
 1. MAINTAIN THIS DOCUMENT IN CONFIDENCE
 2. NOT TO REPRODUCE OR COPY IT
 3. NOT TO REVEAL OR PUBLISH IT IN WHOLE OR PART

1

2

3

4