

1

2

3

4

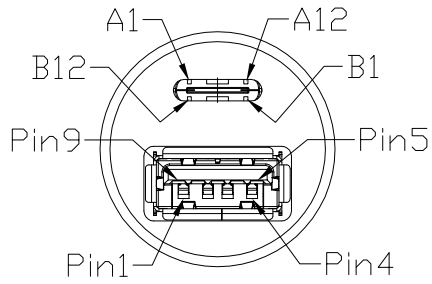
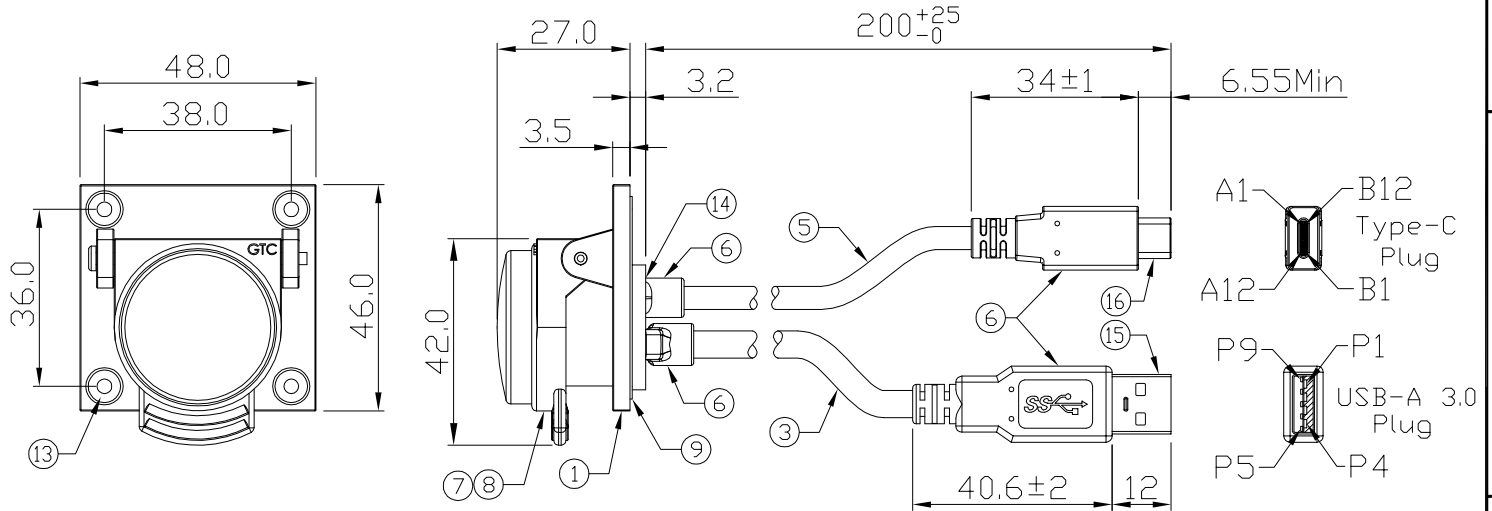
Notes: (Unless Otherwise Specified)

- 1. Waterproof Rate: Unmated IP67
- 2. Recommend Panel Thickness: 0.8 to 3.0 mm.
- 3. RoHS Compliant.
- 4. 螺絲與灰紙板單獨用汽泡袋包裝.
- 5. Pack Each Cable In A Poly Bag And 25pcs In A Poly Bag.

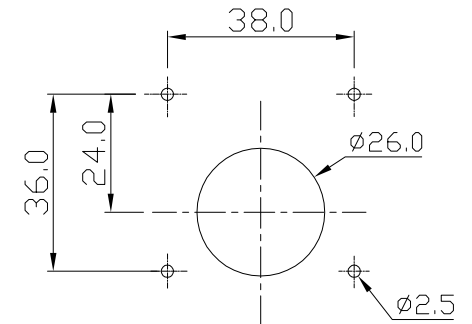
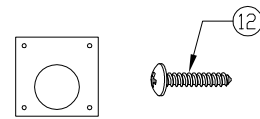
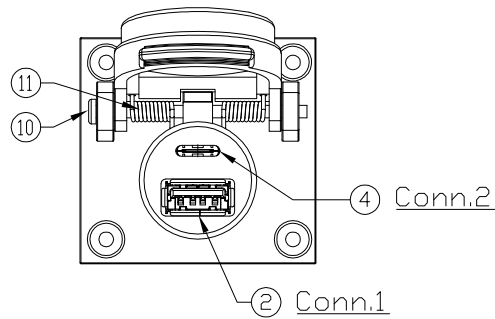
REV	ECN#	DESCRIPTION OF REVISION	DRAW BY DATE	CHECK BY DATE	APPROVE BY DATE
01			Hank 10/28/24	Hank 10/28/24	Lucas 10/28/24

RR-11F443-0F1-08_REV:XX_QTY:1PCS
LOT:XXXX
Made in XXXXX

RR-11F443-0F1-08_REV:XX_QTY:25PCS
LOT:XXXX
Made in XXXXX



Pin Assignment



Recommend Panel Cut-Out Scale 1:1

TITLE						DRAWING NUMBER			REV.	
USB-A3.0 + Type-C C4 Panel Square Flange Dual-USB JACK With Plug + Cap						RR-11F443-0F1-08			01	
	B	1:1	Hank 10/28/24	Hank 10/28/24	Lucas 10/28/24	X.X ± 0.5	X.XXX ± 0.05	mm	1/1	
THIRD ANGLE PROJECTION	SIZE	SCALE	DRAW / DATE	CHECK / DATE	APPROVE / DATE	TOLERANCES		UNIT	SHEET	

USB FIREWIRE.com

THE INFORMATION CONTAINED HEREIN IS PROPRIETARY AND CONFIDENTIAL TO RR BUSINESS VENTURES, LLC. THE POSSESSOR AGREES TO THE FOLLOWING

1. MAINTAIN THIS DOCUMENT IN CONFIDENCE
2. NOT TO REPRODUCE OR COPY IT
3. NOT TO REVEAL OR PUBLISH IT IN WHOLE OR PART

1

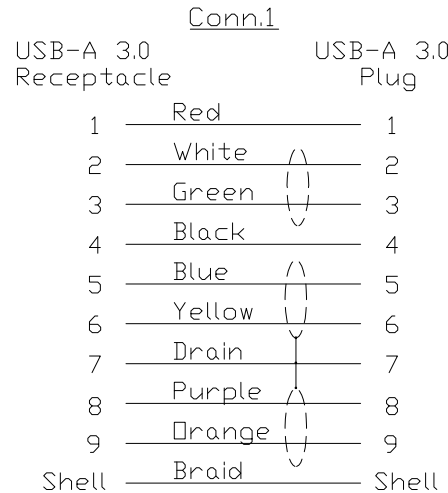
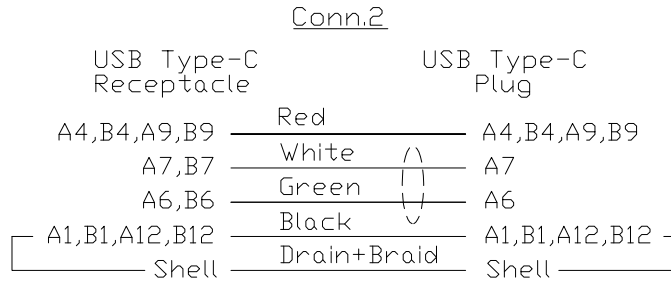
2

3

4

REV	ECN#	DESCRIPTION OF REVISION	DRAW BY DATE	CHECK BY DATE	APPROVE BY DATE
01			Hank 10/28/24	Hank 10/28/24	Lucas 10/28/24

16	USB Type C 2.0 Plug Without IC	Usb Type C Male Solder Type, PCB Without IC Pins: 30u" Gold Plated Over Nickel Insulator: Black Thermoplastic UL94V-0 Rated Shell: Steel With Gold Flash	1
15	USB-A 3.0 Plug	Housing: Thermoplastic, Color: Blue Contacts: Copper Alloy, Finish: Au Plated Shell: SPCC, Finish: Au Plated	1
14	Glue	Epoxy Color: Black	
13	Screw Gasket	EPDM Color: Black	4
12	Screw	Stainless(TP1) Finish:-	4
11	Spring	Stainless Finish:-	1
10	Rivet	Aluminum Finish:-	1
9	Gasket	Silicone Color: Black	1
8	Cap Rubber Pad	Silicone Color: Black	1
7	Cap	Thermoplastic Color: Black	1
6	Over Mold	Thermoplastic Color: Black	4
5	Cable	UL2725 28AWG*1P+24AWG*2C+AEB65% Color: Black, OD=4.7mm	1
4	USB Type-C Female	USB Type C Female Solder Type, PCB Without IC Pins: 30u" Gold Plated Over Nickel Insulator: Black Color LCP UL94V-0 Rated Shell: Steel With Gold Flash	1
3	Cable	UL2725 (1P*28AWGEM)*2+(1PR*28AWG+A)+2C*24AWG+AB 85% Color: Black, OD=5.5mm	1
2	USB-A 3.0 Receptacle	Housing: Thermoplastic, Color: Blue Contacts: Copper Alloy, Finish: Au Plated Shell: Copper Alloy, Finish: Au Plated	1
1	Housing	Thermoplastic Color: Black	1
Item	Part Name	Material / Finish	Q'ty



Wiring Diagram

TITLE						DRAWING NUMBER			REV.	
USB-A3.0 + Type-C C4 Panel Square Flange Dual-USB JACK With Plug + Cap						RR-11F443-0F1-08			01	
	B	1:1	Hank 10/28/24	Hank 10/28/24	Lucas 10/28/24	X.X ± 0.5 X.XX ± 0.2	X.XXX ± 0.05 ANGLES ± 1°	mm	2/2	
THIRD ANGLE PROJECTION	SIZE	SCALE	DRAW / DATE	CHECK / DATE	APPROVE / DATE	TOLERANCES		UNIT	SHEET	

USB FIREWIRE.com

THE INFORMATION CONTAINED HEREIN IS PROPRIETARY AND CONFIDENTIAL TO RR BUSINESS VENTURES, LLC. THE POSSESSOR AGREES TO THE FOLLOWING

1. MAINTAIN THIS DOCUMENT IN CONFIDENCE
2. NOT TO REPRODUCE OR COPY IT
3. NOT TO REVEAL OR PUBLISH IT IN WHOLE OR PART