

1

2

3

4

Notes: (Unless Otherwise Specified)

- 1. Waterproof Rate: IP68.
- 2. RoHS Compliant.
- 3. 產品採用無Logo PE袋單PCS包裝,並將標籤貼於袋外.

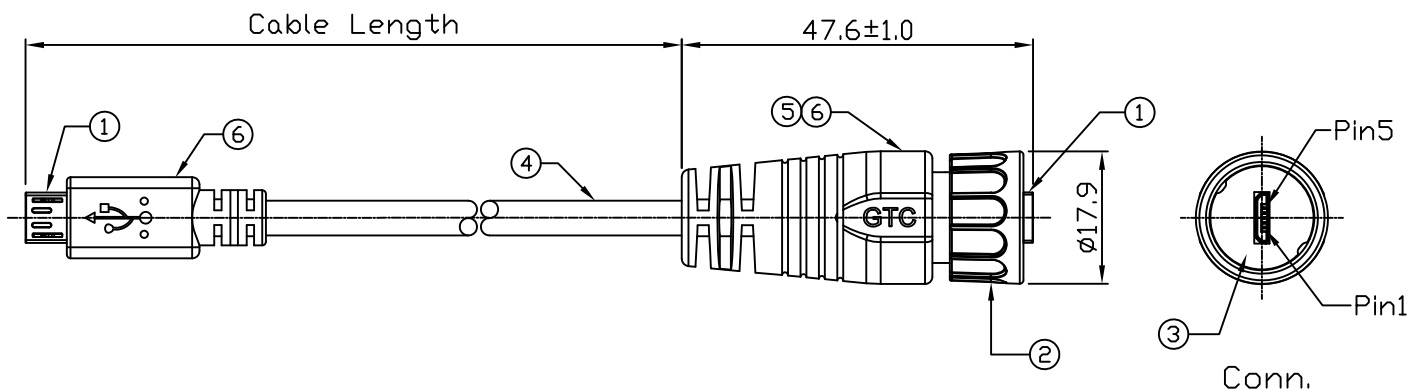
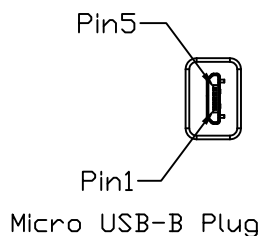
RR-11B220-0P-XX\_REV:XX\_QTY:1PCS  
 LOT: XXXX  
 Made in China

- 4. 每25PCS產品再用防水袋包裝,並將標籤貼於袋外.

RR-11B220-0P-XX\_REV:XX\_QTY:25PCS  
 LOT: XXXX  
 Made in China

- 5. 標籤上的REV: 請依照成品圖面版本.
- 6. 不可使用夾鍊袋

REV	ECN#	DESCRIPTION OF REVISION	DRAW BY DATE	CHECK BY DATE	APPROVE BY DATE
01			Lucas 08/24/20	Lucas 08/24/20	Ray 08/24/20



Micro USB-B Plug      Conn.  
Wiring Diagram



6	Over Mold	PVC Color: Black	2
5	Inner Mold	Thermoplastic Color: Black	1
4	Cable	UL2725 1P*28AWG+3C*24AWG+Al/My+D+B Color: Black, OD=5.0mm	1
3	Rubber Pad	Silicone Color: Black	1
2	Lock Nut	Thermoplastic Color: Black	1
1	Micro USB-B Plug	Housing: Thermoplastic, Color: Black Contacts: Copper Alloy, Finish: Au Plated Shell: Cold Roll Steel, Finish: Ni Plated	2
Item	Part Name	Material / Finish	QTY

RR-11B220-0P-78	1981 mm	+50
RR-11B220-0P-36	914 mm	+50
Part No.	Cable Length	Tol.

TITLE						DRAWING NUMBER			REV.
Micro USB-B Plastic C2 Cable End Lock With Micro USB-B Plug						RR-11B220-0P-XX			01
	B	1:1	Lucas 08/24/20	Lucas 08/24/20	Ray 08/24/20	X.X ± 0.5 X.XX ± 0.2	X.XXX ± 0.05 ANGLES ± 1°	mm	1/1
THIRD ANGLE PROJECTION	SIZE	SCALE	DRAW / DATE	CHECK / DATE	APPROVE / DATE	TOLERANCES		UNIT	SHEET

USBFIREWIRE.com  
 NOTICE OF PROPRIETARY PROPERTY:  
 THE INFORMATION CONTAINED HEREIN IS THE PROPRIETARY PROPERTY OF GT CONTACT CO., LTD. THE POSSESSOR AGREES TO THE FOLLOWING:  
 (a) TO MAINTAIN THIS DOCUMENT IN CONFIDENCE  
 (b) NOT TO REPRODUCE OR COPY IT  
 (c) NOT TO REVEAL OR PUBLISH IT IN WHOLE OR PART  
 (d) ALL RIGHTS RESERVED

1

2

3

4