

1

2

3

4

Notes: (Unless Otherwise Specified)

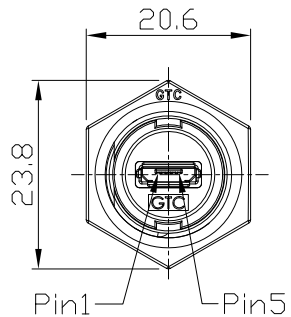
- 1. Waterproof Rate: IP68.
- 2. Recommend Panel Thickness : 0.8 to 3.0 mm.
- 3. Recommend Torque: 9~10 Kgf-cm.
- 4. Mating Cap P/N: GT1C1210X2.
- 5. RoHS Compliant.
- 6. 產品採用無Logo PE袋單PCS包裝,並將標籤貼於袋外.

RR-11A210-01-XX_REV:XX_QTY:1PCS
LOT: XXXX
Made in China

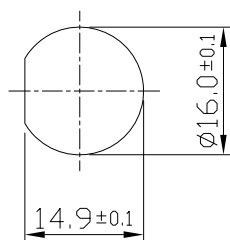
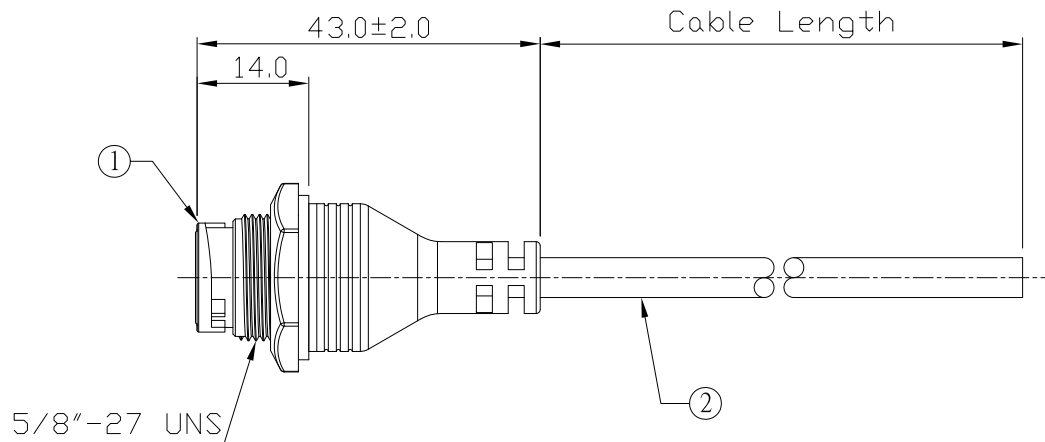
- 7. 每25PCS產品再用防水袋包裝,並將標籤貼於袋外.

RR-11A210-01-XX_REV:XX_QTY:25PCS
LOT: XXXX
Made in China

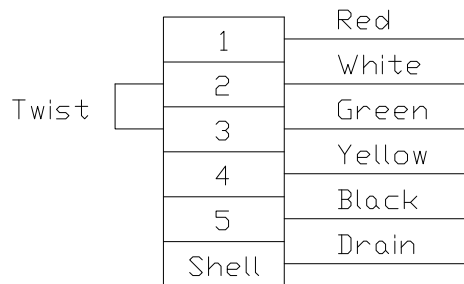
- 8. 標籤上的REV: 請依照成品圖面版本.
- 9. 不可使用夾鍊袋



Mirco USB-AB Jack



Recommend Panel Cut-Out



Mirco USB-AB Jack

Wiring Diagram


GTC
 DOC.CENTER.ISSUE
MAY.30.2018
 ONLY FOR
 RELEASE

RR-11A210-01-118	2997 mm	+150
RR-11A210-01-78	1981 mm	+100
RR-11A210-01-39	990 mm	+50
Part No.	Cable Length	Tol.

REV	ECN#	DESCRIPTION OF REVISION	DRAW BY DATE	CHECK BY DATE	APPROVE BY DATE
01			Whitney 05/15/18	Lucas 05/15/18	Ray 05/15/18

Item	Part Name	Material / Finish	Q'ty
2	Cable	UL2725 1P*28AWG+3C*24AWG+Al/My+D+B OD=5.0mm, Color: Black	1
1	Micro USB-AB Plastic C2 Cable to Cable Jack Lock	GT Contact P/N: GT11A210-01-XX	1

TITLE Micro USB-AB Plastic C2 Cable to Cable Jack Lock With Cable						DRAWING NUMBER RR-11A210-01-XX			REV. 01	
THIRD ANGLE PROJECTION	SIZE	SCALE	DRAW / DATE	CHECK / DATE	APPROVE / DATE	TOLERANCES		UNIT	SHEET	
	B	1:1	Whitney 05/15/18	Lucas 05/15/18	Ray 05/15/18	X.X ± 0.5 X.XX ± 0.2	X.XXX ± 0.05 ANGLES ± 1°	mm	1/1	


USB FIREWIRE.com
THE INFORMATION CONTAINED HEREIN IS PROPRIETARY AND CONFIDENTIAL TO RR BUSINESS VENTURES, LLC. THE POSSESSOR AGREES TO THE FOLLOWING
 1. MAINTAIN THIS DOCUMENT IN CONFIDENCE
 2. NOT TO REPRODUCE OR COPY IT
 3. NOT TO REVEAL OR PUBLISH IT IN WHOLE OR PART