

Notes: (Unless Otherwise Specified)

1. Waterproof Rate: Unmated IP67
2. Recommend Panel Thickness: 0.8 to 3.0 mm.
3. RoHS Compliant.
4. 螺絲與灰紙板單獨用汽泡袋包裝。
5. 產品採用無Logo PE袋單PCS包裝; 並將標籤貼於袋外。

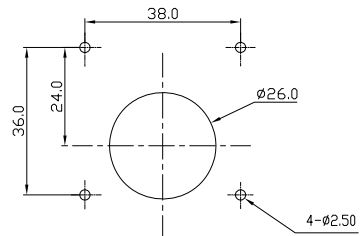
RR-111443-0Y-78\_REV:XX\_QTY:1PCS  
**LOT: XXXX**  
**Made in China**

6. 每25PCS產品再用防水袋包裝; 並將標籤貼於袋外。

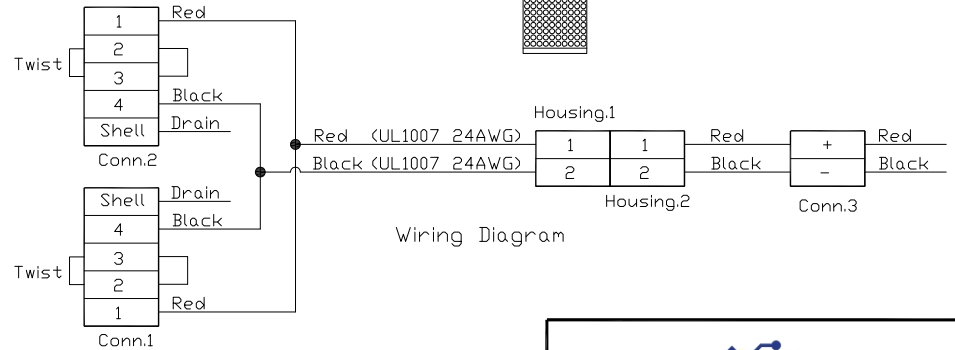
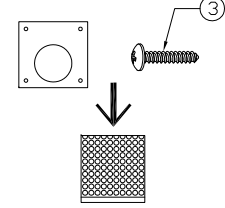
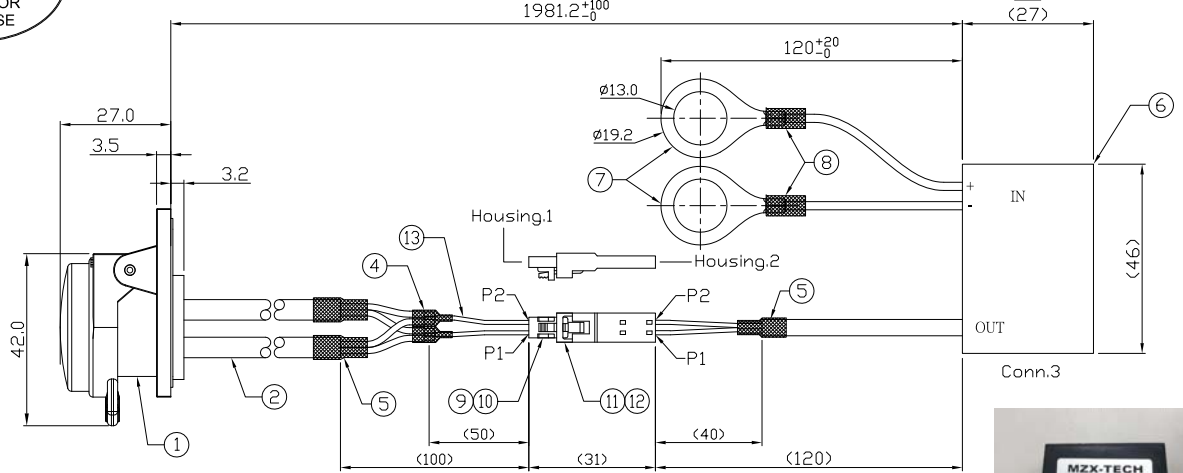
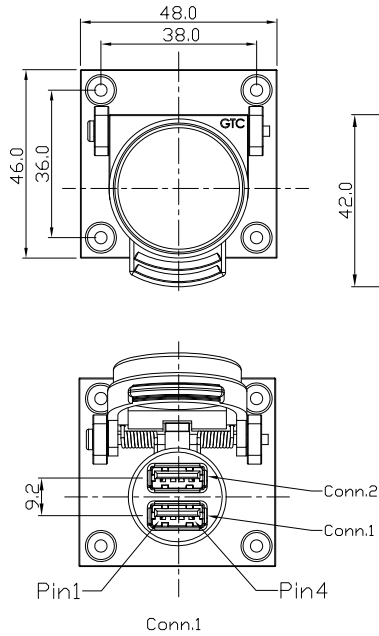
RR-111443-0Y-78\_REV:XX\_QTY:25PCS  
**LOT: XXXX**  
**Made in China**

7. 標籤上的REV: 請依照成品圖面版本。
8. 不可使用夾鍊袋。

GTC  
 DOC.CENTER.ISSUE  
**APR.09.2020**  
 ONLY FOR  
 RELEASE



Recommend  
 Panel Cut-Out  
 Scale 1:1



7	Ring Terminal	KST P/N: RNBI-12 Finish: Sn Plated	2			
6	1 Phone & Android DC-DC Converter	MSCD20 Color: Black	1	13	Wire	
5	Shrink Tube	L=20mm Color: Black	3	12	Terminal	
4	Shrink Tube With Glue	L=20mm Color: Black	2	11	2 Way Housing	
3	Screw	Stainless(TPI) Finish:-	4	10	Terminal	
2	Cable	UL2725 28AWG*1P*20AWG*2C*H/My+D Color: Black, OD=5.5mm	2	9	2 Way Housing	
1	USB-A C4 Panel Square Flange Dual-USB JACK With Dust Cover	GT Contact P/N: G1111433-0X-XX	1	8	Shrink Tube	
	Item Part Name	Material / Finish	Qty	Item Part Name	Material / Finish	Qty

TITLE: USB-A C4 Panel Square Flange Dual-USB JACK With Cable + Cap + DC Converter  
 DRAWING NUMBER: RR-111443-0Y-78  
 REV.: 08

DD NOT SCALE DRAWINGS	B	1:1	Lucas 04/20/18	Lucas 04/20/18	Ray 04/20/18	X.X ± 0.5 X.XX ± 0.2	X.XXX ± 0.05 ANGLES ± 1°	mm	1/1
THIRD ANGLE PROJECTION	SIZE	SCALE	DRAW / DATE	CHECK / DATE	APPROVE / DATE	TOLERANCES		UNIT	SHEET

**USBFIREFIRE.com**

THE INFORMATION CONTAINED HEREIN IS PROPRIETARY AND CONFIDENTIAL TO RR BUSINESS VENTURES, LLC. THE POSSESSOR AGREES TO THE FOLLOWING

1. MAINTAIN THIS DOCUMENT IN CONFIDENCE
2. NOT TO REPRODUCE OR COPY IT
3. NOT TO REVEAL OR PUBLISH IT IN WHOLE OR PART