

Notes: (Unless Otherwise Specified)

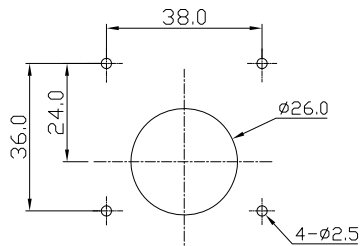
1. Waterproof Rate: Unmated IP67
2. Recommend Panel Thickness: 0.8 to 3.0 mm.
3. RoHS Compliant.
4. 螺絲與灰紙板單獨用汽泡袋包裝。
5. 產品採用無Logo PE袋單PCS包裝, 並將標籤貼於袋外。

RR-111443-0V-78_REV:XX_QTY:1PCS
LOT: XXXX
Made in China

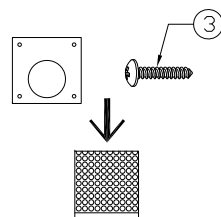
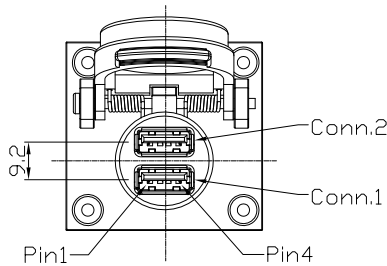
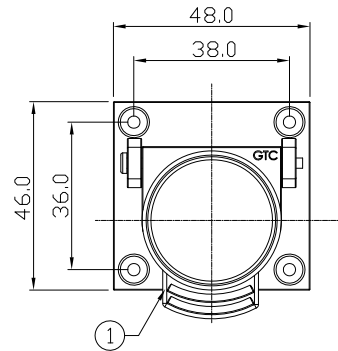
6. 每25PCS產品再用防水袋包裝, 並將標籤貼於袋外。

RR-111443-0V-78_REV:XX_QTY:25PCS
LOT: XXXX
Made in China

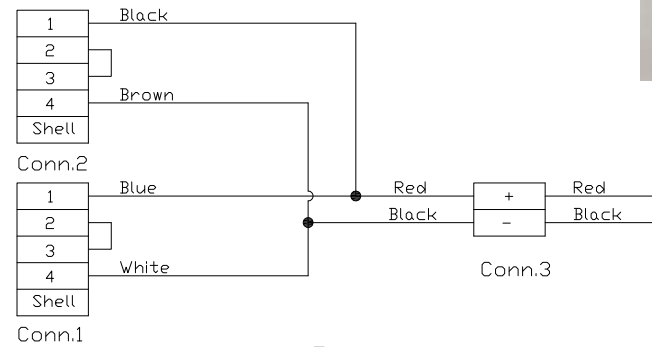
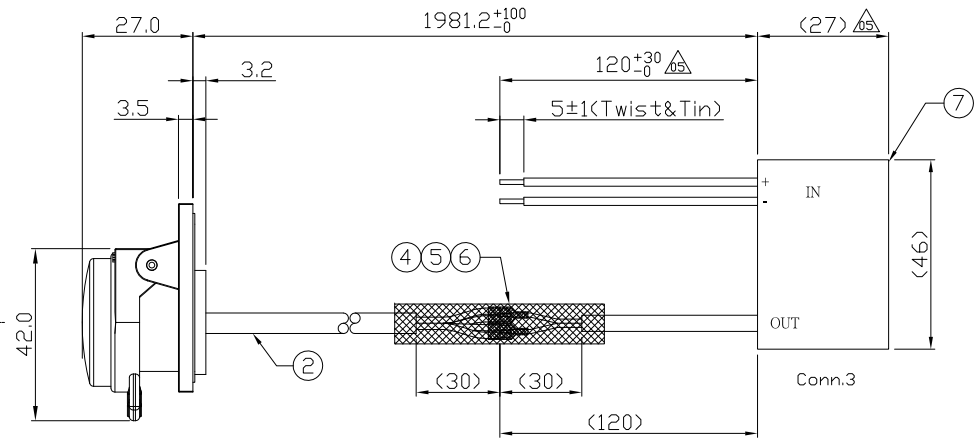
7. 標籤上的REV: 請依照成品圖面版本。
8. 不可使用夾鍊袋



Recommend
 Panel Cut-Out
 Scale 1:1



REV	ECN#	DESCRIPTION OF REVISION	DRAW BY DATE	CHECK BY DATE	APPROVE BY DATE
05	ECN-200407	1. Marked Modify Dimensions 32mm --> 27mm 2. Marked Modify Dimensions 120mm+20/-0 --> 120mm +30/-0	Hank 04/09/20	Lucas 04/09/20	Ray 04/09/20



Wiring Diagram

GTC
 DOC.CENTER.ISSUE
 APR.09.2020
 ONLY FOR
 RELEASE

Item	Part Name	Material / Finish	Qty
7	I Phone & Android DC-DC Converter	MSCD20 Color: Black	1
6	Shrink Tube	L=20mm Color: Black	2
5	Shrink Tube	L=80mm Color: Clear	1
4	Glue	Silicone Color: Black	
3	Screw	Stainless(TPI) Finish:-	4
2	Cable	UL2464 4C*20AWG+Al/My+D Color: Black, DD=5.5mm	1
1	USB-A C4 Panel Square Flange Dual-USB JACK With Dust Cover	GT Contact P/N: GT111433-0X-XX	1

TITILE USB-A C4 Panel Square Flange Dual-USB JACK With Cable + Cap + DC Converter					DRAWING NUMBER RR-111443-0V-78			REV. 05	
THIRD ANGLE PROJECTION	SIZE B	SCALE 1:1	DRAW / DATE Lucas 03/07/16	CHECK / DATE Lucas 03/07/16	APPROVE / DATE Ray 03/07/16	TOLERANCES X.X ± 0.5 X.XX ± 0.2	ANGLES X.XXX ± 0.05 ANGLES ± 1°	UNIT mm	SHEET 1/1


USB FIREWIRE.com
THE INFORMATION CONTAINED HEREIN IS PROPRIETARY AND CONFIDENTIAL TO RR BUSINESS VENTURES, LLC. THE POSSESSOR AGREES TO THE FOLLOWING
 1. MAINTAIN THIS DOCUMENT IN CONFIDENCE
 2. NOT TO REPRODUCE OR COPY IT
 3. NOT TO REVEAL OR PUBLISH IT IN WHOLE OR PART