

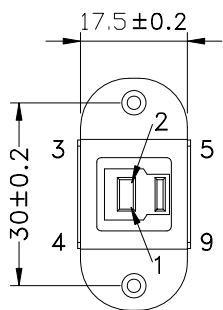
1

2

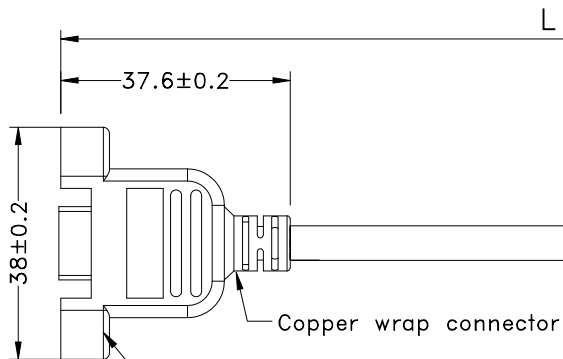
3

4

REV	ECN#	DESCRIPTION OF REVISION	DRAW BY DATE	CHECK BY DATE	APPROVE BY DATE
A2	ECN-180921	Modify Drawing	Lucas 10/01/18	Lucas 10/01/18	Ray 10/01/18

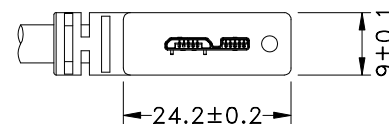
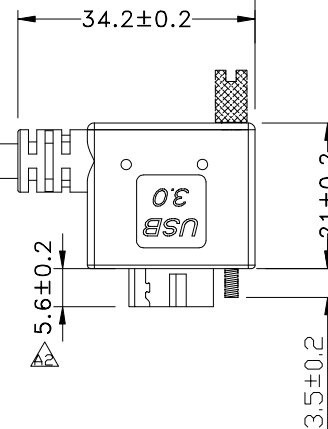


FRONT VIEW

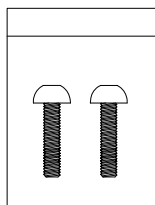


NUT INSIDE
 USB B 3.0 FEMALE
 MOLDED BLACK

L



Micro-USB 3.0 B/M
 RIGHT ANGLE LEFT
 MOLDED BLACK



PIN OUT	
USB B F	Micro-USB B M
1 — RED	1
2 — WHITE	2
3 — GREEN	3
4 — BLACK	5
5 — BLUE	6
6 — YELLOW	7
7 — DRAIN	8
8 — PURPLE	9
9 — ORANGE	10
SHEEL — BRAID — SHEEL	

GTC
 DOC.CENTER.ISSUE
 APR.09.2019
 ONLY FOR
 RELEASE

P/N	LENGTH
RR-MLKBFPM-10GR	255 ⁺²⁰ ₋₀
RR-MLKBFPM-12GR	305 ⁺²⁰ ₋₀
RR-MLKBFPM-30GR	762 ⁺⁴⁰ ₋₀

TITLE MICRO-USB3.0 BM RIGHT ANGLE LEFT TO USB3.0 BF			DRAWING NUMBER RR-MLKBFPM-XXGR			REV. A2			
	B	1:1	Lucas 09/29/14	Ray 09/29/14	Ray 09/29/14	X.X ± 0.5 X.XX ± 0.2	X.XXX ± 0.05 ANGLES ± 1°	mm	1/3
THIRD ANGLE PROJECTION	SIZE	SCALE	DRAW / DATE	CHECK / DATE	APPROVE / DATE	TOLERANCES		UNIT	SHEET

THE INFORMATION CONTAINED HEREIN IS PROPRIETARY AND CONFIDENTIAL TO RR BUSINESS VENTURES, LLC. THE POSSESSOR AGREES TO THE FOLLOWING

1. MAINTAIN THIS DOCUMENT IN CONFIDENCE
2. NOT TO REPRODUCE OR COPY IT
3. NOT TO REVEAL OR PUBLISH IT IN WHOLE OR PART

1

2

3

4

1

2

3

4

REV	ECN#	DESCRIPTION OF REVISION	DRAW BY DATE	CHECK BY DATE	APPROVE BY DATE
A2	ECN-180921	Modify Drawing	Lucas 10/01/18	Lucas 10/01/18	Ray 10/01/18

***CONSTRUCTION:

1.CABLE: * UL2725[(1PR/28#+EAM)*2]+(1PR/28#+A)+2C/24#+AB85%
OD:5.5mm BLACKE JACKET (REV:3.0)

***CONNECTOR:

2.USB B/F: * USB B "3.0" TYPE 9PIN FEMALE SOLDER TYPE. (XKJX P/N:CU3F043D16T00R)
* PINS: 30u GOLD PLATED OVER NICKEL.
* SHELL: BRASS WITH GOLD FLASH .
* INSULATOR: BLUE COLOR P.B.T UL 94V-0 RATED.
* SCREW: 5.0*11mm, NUT:4.75x1.8mm #4-40UNC .
* MOLDED BLACK PVC 45P.

3.Micro-USB B/M: * MICRO-USB B "3.0" TYPE 10PIN MALE SOLDER TYPE. (SWEETRAY P/N:CHMICROUSB3BM01E)
* PINS: 30u GOLD PLATED OVER NICKEL.
* SHELL: STEEL WITH GOLD FLASH .
* INSULATOR: BLACK COLOR P.B.T UL 94V-0 RATED.
* SCREW: M2 5.5*34mm.
* MOLDED BLACK PVC 45P.

4.TEST: * CT: 2 ohm IS: 5M ohm.
5.PACKING: * PACK EACH CABLE IN A POLY BAG AND 25PCS IN A POLY BAG.
6.MATERIAL: * MATERIAL WITH RoHS GRADE.



TITLE MICRO-USB3.0 BM RIGHT ANGLE LEFT TO USB3.0 BF			DRAWING NUMBER RR-MLKBFPM-XXGR			REV. A2			
	B	1:1	Lucas 09/29/14	Ray 09/29/14	Ray 09/29/14	XX ± 0.5 X.XX ± 0.2	X.XXX ± 0.05 ANGLES ± 1°	mm	2/3
THIRD ANGLE PROJECTION	SIZE	SCALE	DRAW / DATE	CHECK / DATE	APPROVE / DATE	TOLERANCES		UNIT	SHEET

THE INFORMATION CONTAINED HEREIN IS PROPRIETARY AND CONFIDENTIAL TO RR BUSINESS VENTURES, LLC. THE POSSESSOR AGREES TO THE FOLLOWING
1. MAINTAIN THIS DOCUMENT IN CONFIDENCE
2. NOT TO REPRODUCE OR COPY IT
3. NOT TO REVEAL OR PUBLISH IT IN WHOLE OR PART

1

2

3

4