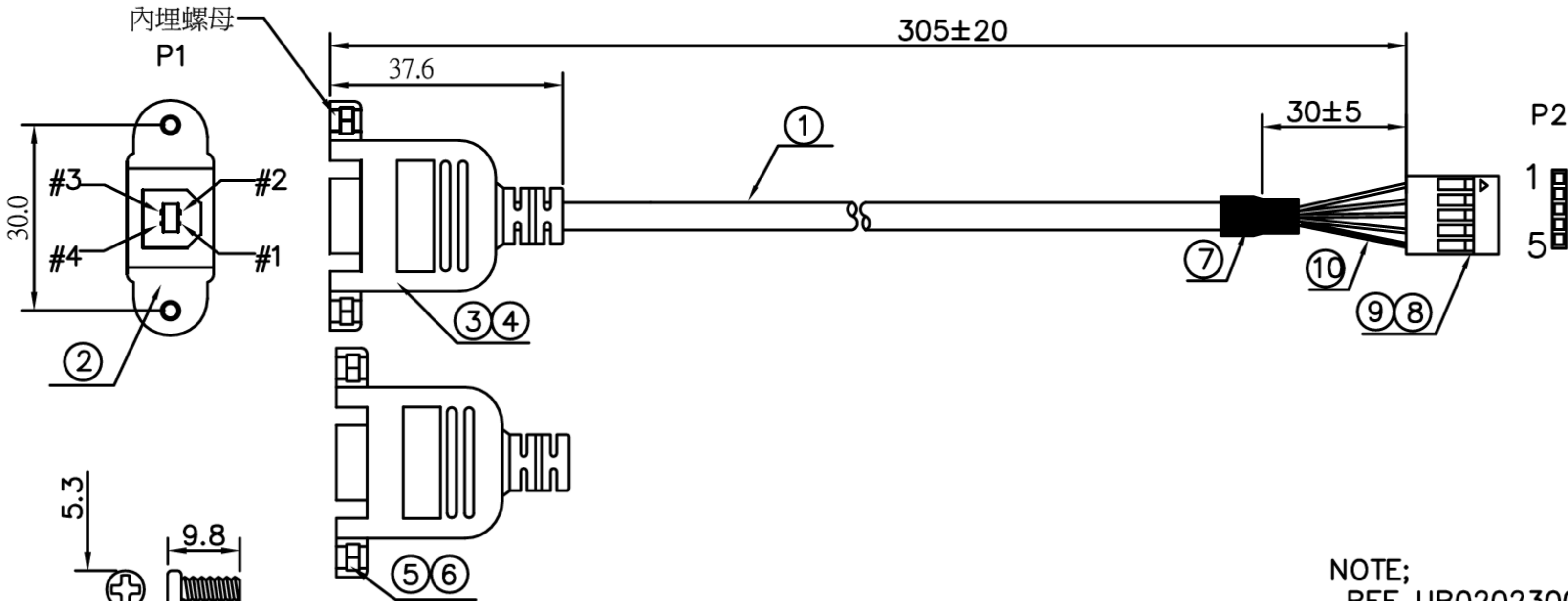


DESCRIPTION CONTROL			
REV	DESC	DATE	ECN NO



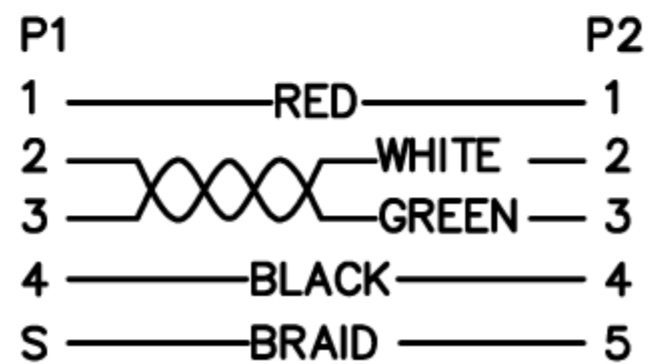
NOTE;  
REF UB0202300201114

RoHS COMPLIANT

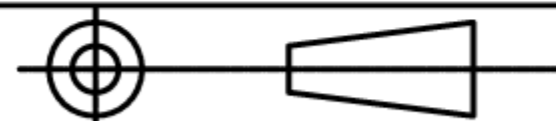
*	390	PE-BAG: 2.5*2.5*0.06MM(裝2PCS螺絲)	1	PCS
*	390	CARTON: 46*30*25CM	A/R	PCS
*	390	PE BAG: 30*28*0.08MM	A/R	PCS
*	390	PE BAG: 5*6*0.06MM	1	PCS
10	200032000155	TUBE-HT-Ø1.0MM	35*1	MM
9	3310525417	HOUSING: 2561-H-5R(BK)(旗欣)	1	PCS
8	342541117	TERMINAL: 2563 (鍍錫)	5	PCS
7	20003200016	TUBE-HT-Ø5.0MM	25*1	MM
6	24002000000	NUTS: 4.75*2.0MM<4#-40>	2	PCS
5	240010700013	SRW: 5.4*9.8MM<全牙>	2	PCS
4	12002000000	PE-5321	4.5	G
3	12001000003	PVC-BK10/50	8.0	G
2	110082304081	USB-B-S<WH><鐵殼鍍金>	1	SET
1	130304110000X	28#*1P+24#*2C+A+B-BK10-Ø4.8 UL2725<REV: 2.0> 慶龍或同級品	0.63/2	M
NO	TYPE	DESCRIPTION	QTY	UNIT

2PCS 六角螺絲裝小  
PE袋附成品袋中

PIN ASSIGNMENT



www.USBFireWire.com



ITEM: UB0105400001424	REV R
DRAWN BY: Fu Dan Xia	SCALE: NONE
CHECKED BY:	DATE: 2010/09/03
APPROVED BY:	CUSTOMER: C331<陸鴻>
CUSTOMER P/N:	PAGE: 1/1

ALL DIMENSIONS IN mm (UNLESS OTHERWISE SPECIFIED)