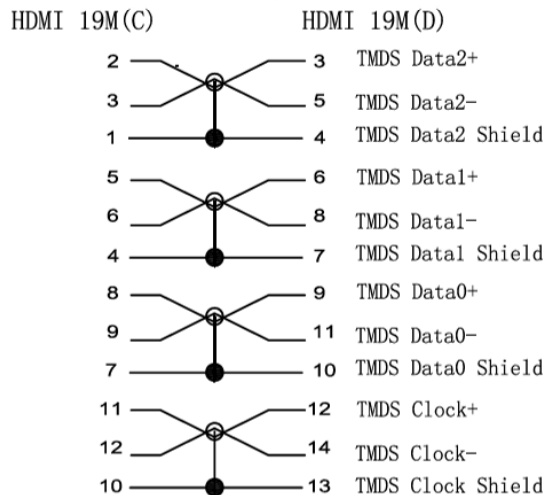
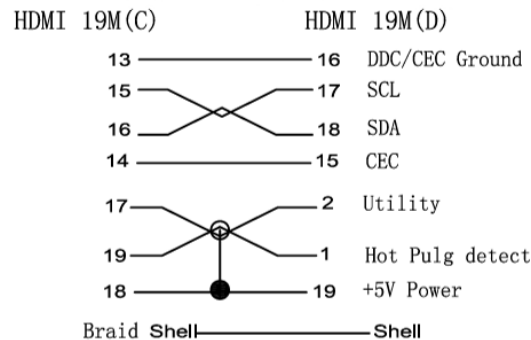


PIN ASSIGNMENT



PIN ASSIGNMENT



ROHS Compliant

					www.USBFireWire.com					
4	65P Black PVC				Tolerance, Unless Otherwise Specified	DRAW:	TITLE	HDMI DM TO CM		
3	HDMI AF, BLACK INSULATION, SHELL 3U" GOLD PLATED WITH SOLDER(P/N YQT-HCM3)							CHECKED:	PART NO.	RR-7S-5S-XXG
2	HDMI DM, BLACK INSULATION, SHELL 3U" GOLD PLATED WITH SOLDER(P/N YQT-HDM3)				APPROVED:	DRAW NO.	SCALE			
1	(1P*30AWG+D+AL)*5C+4C*30AWG+AL+D+B OD5.5 L=5in/12in/24in/6ft Black						DATE	SCALE	1:1	UNIT
NO	Description	Q'	TY	Unit	ANGLE					