

1

2

3

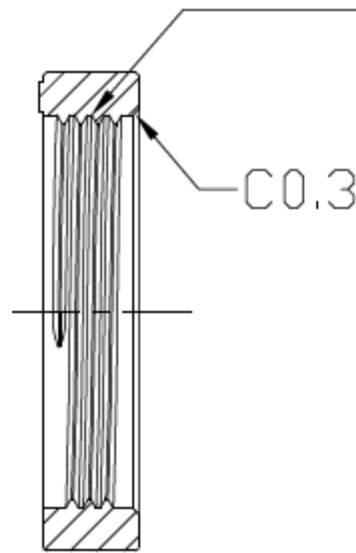
4

REV	ECN#	DESCRIPTION OF REVISION	DRAW BY DATE	CHECK BY DATE	APPROVE BY DATE
A0	ECN-120206	變更為可量產模具	Lucas 02/08/12	Ray 02/08/12	Ray 02/08/12

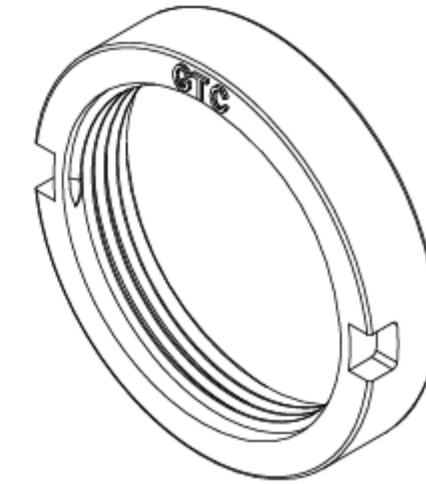
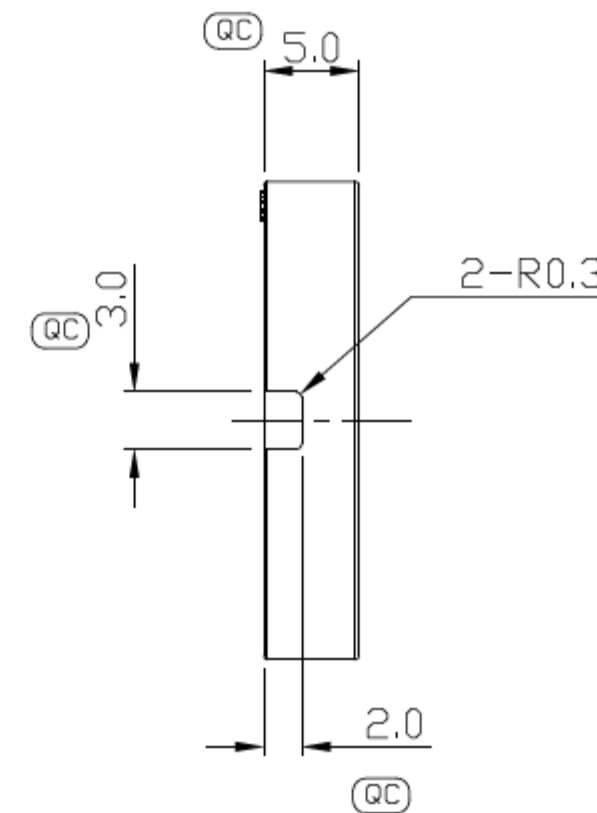
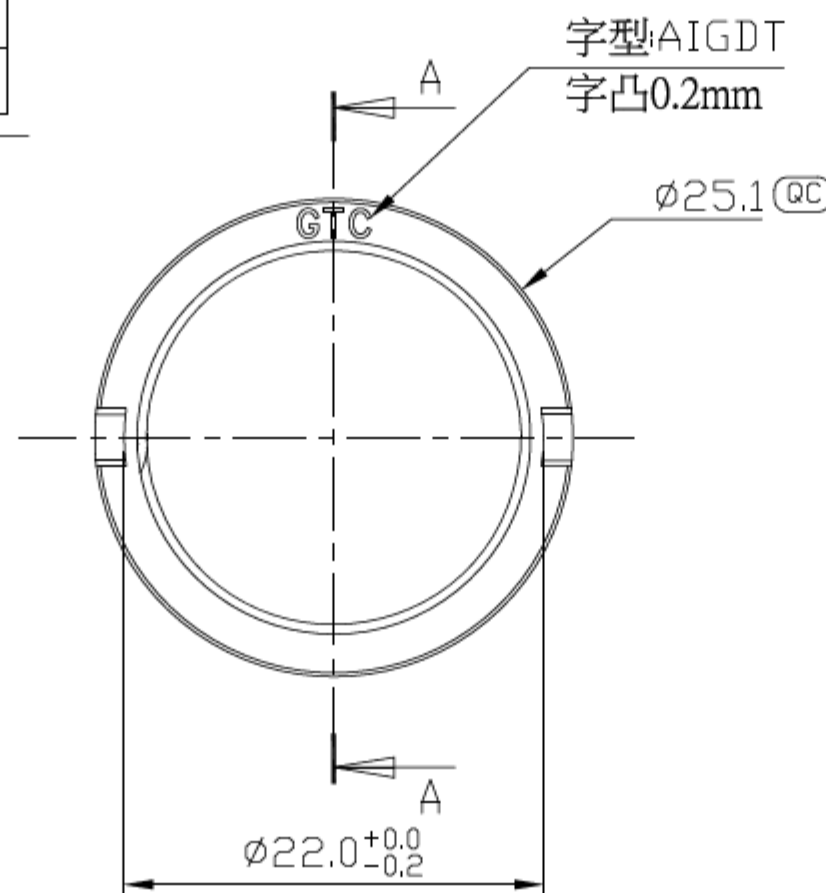
Note:

1. 材質:PA66+30%GF, 顏色:黑色 94V-0.
2. 表面不得有縮水,水紋等情形.
3. 注意毛邊不可大於0.1mm.中心偏差度不可大於0.1mm.
4. 重點管制尺寸 (QC)
5. 模號不能刻在頂針上.
6. 未標注之R角不能超過0.1mm.
7. 拔模角不能超過0.5°.
8. 產品必需符合RoHS要求.

13/16"-28 UN 2A (QC)	
小徑d	19.8628 Max.
小徑d	19.6596 Min.
大徑D	20.6375Min.
螺距P	0.907



Section A-A



DOC.CENTER.ISSUE  
FEB.08.2012  
ONLY FOR RELEASE  
CONFIDENTIAL

www.USBFireWire.com

TITLE C3 Spanner Nut				DRAWING NUMBER RR-66153-00020			REV. A0	
	1/1	Karen 11/12/09	Ray 11/12/09	Ray 11/12/09	All ANGLES $\pm 0.1$ $\pm 1^\circ$	mm	1/1	
THIRD ANGLE PROJECTION	SCALE	DRAFTER / DATE	CHECK / DATE	APPROVE / DATE	TOLERANCES	UNIT	SHEET	

NOTICE OF PROPRIETARY PROPERTY:  
THE INFORMATION CONTAINED HEREIN IS THE PROPRIETARY PROPERTY OF GT Contact CO.,LTD THE POSSESSOR AGREES TO THE FOLLOWING:  
(I) TO MAINTAIN THIS DOCUMENT IN CONFIDENCE  
(II) NOT TO REPRODUCE OR COPY IT  
(III) NOT TO REVEAL OR PUBLISH IT IN WHOLE OR PART  
(IV) ALL RIGHTS RESERVED

1

2

3

4

D

D

C

C

B

B

A

A