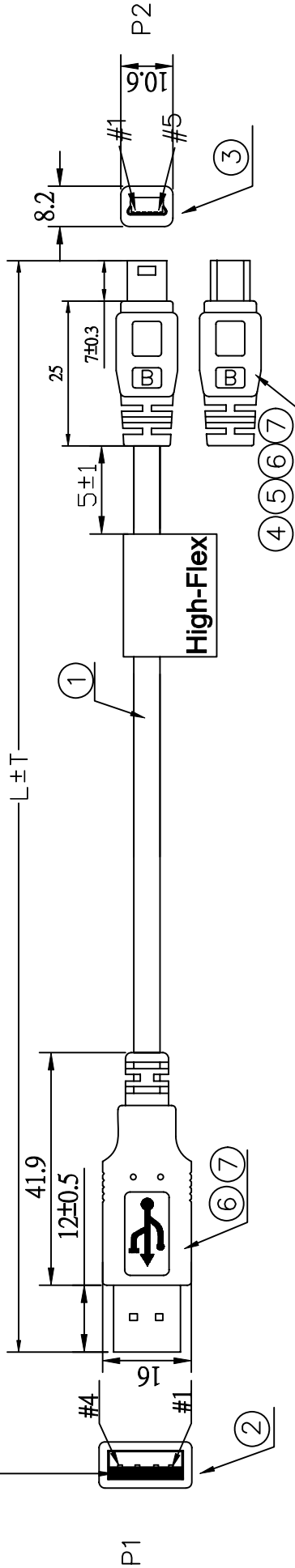


FILE NO: UB-05329

New Braid Assy Way

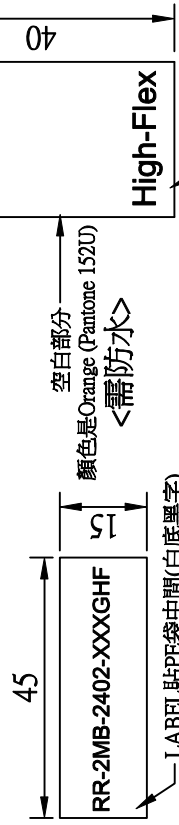
PLASTIC TONGUE (BLACK SHADED AREA)

DESCRIPTION CONTROL			
REV	DESC	DATE	ECN NO
B	△	2012.12.07	N201212885
C	△	2013.10.08	自然切换



CUSTOMER P/N
RR-2MB-2402-180GHF
RR-2MB-2402-78GHF

L±T	M	PE BAG: L" * W" * 0.06MM	TIE	Q'TY
4600±50	4.59	PE BAG: 7" * 10" * 0.06MM	△	A/R
1980±50	1.97	PE BAG: 6" * 8" * 0.06MM	110*1	A/R



**ROHS COMPLIANT**

NOTE:  
REF: UB01021-04808  
UB01021-04904

NO	PART NO.	DESCRIPTION	QTY	UNIT
*	220030000363	TIE - A - BLACK	***	MM
*	330010016541	LABEL: 40*25MM "High-Flex" <鐵線字> <需防水>	1	PCS
*		LABEL: "RR-2MB-2402-XXXGHF" * 45 * 15MM	1	PCS
*	31000000001X	CARTON: 46 * 30 * H CM	A/R	PCS
*	3000100000001	PE BAG: 30" * 28" * 0.08MM	A/R	PCS
*		PE BAG: L" * W" * 0.06MM	1	PCS
7	2100100000328	FOIL - CU - 8MM	26*2	MM
6	1200100000031	PVC - BK10/50	12	G
5	2000340000032	TUBE - HT - Ø1.0MM (薄型)	5*3	MM
4	2100300000057	HI TEAMP TAPE: W: 6MM	20*1	MM
3	110081004087	MINI - USB - B - 5P <BK超薄> <鍍銀鍍金>	1	SET
2	180-041033-	USB - A - P (WH) / L <鍍銀鍍金>	1	SET
1	1303041102751	28# * 1P + 26# * 2C + A + S + P - BLACK10 / B - 4.4UL2725 (REV: 2.0) (聯類6051260***)	L	M
NO	PART NO.	DESCRIPTION	QTY	UNIT

PIN ASSIGNMENT	P2
1	RED
2	WHITE
3	GREEN
4	BLACK
S	BRAID

INNER MOLDING	USB.A-01	USB.A389KF	REV
OUTER MOLDING	△	△	
<p>THE INFORMATION CONTAINED HEREIN IS THE PROPRIETARY INFORMATION OF RR BUSINESS VENTURES, LLC. THE POSSESSOR AGREES TO MAINTAIN THIS DOCUMENT IN CONFIDENCE; NOT REPRODUCE IT OR COPY IT, AND NOT TO REVEAL OR PUBLISH IT IN WHOLE OR PART.</p> <p>USB FIREWIRE .com</p> <p>ITEM: RR-2MB-2402-XXXGHF</p> <p>SCALE: DATE: 2011/09/28</p> <p>CHECKED, BY: 劉石壽</p> <p>CUSTOMER: C331 &lt;陸灣&gt;</p> <p>APPE'D, BY: CUSTOMER P/N: RR-2MB-2402-XXXGHF/B</p> <p>ALL DIMENSIONS IN mm</p>			