

1

2

3

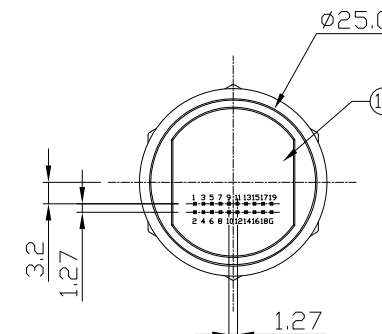
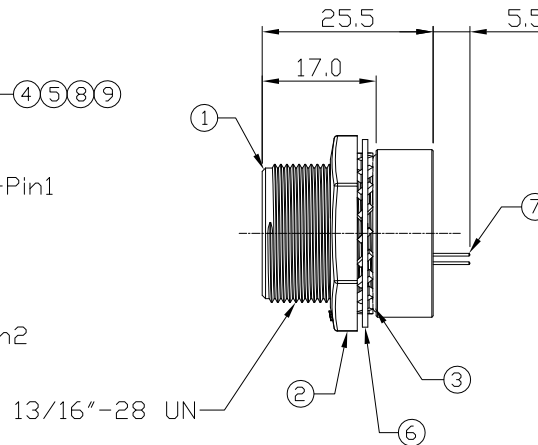
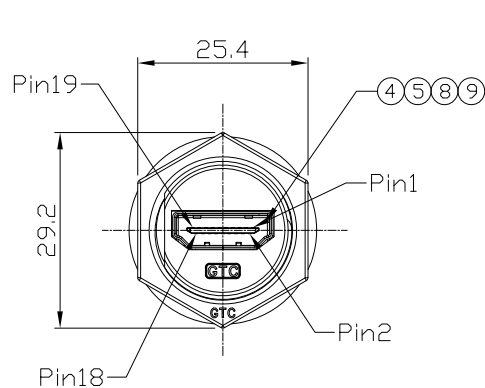
4

Notes: (Unless Otherwise Specified)

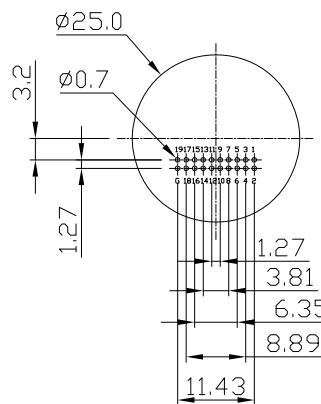
- 1. Waterproof Rate: IP68.
- 2. Recommend Panel Thickness: 0.8 to 4.5 mm.

REV	ECN#	DESCRIPTION OF REVISION	DRAW BY DATE	CHECK BY DATE	APPROVE BY DATE
01			Karen 03/25/16	Lucas 03/25/16	Ray 03/25/16

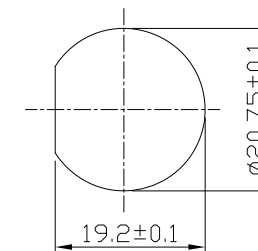
R&D DEPT. ISSUE
 MAR.25.2016
 ONLY FOR
 RELEASE



10	Glue	Epoxy Color: Black	
9	Hold	Silicone Color: Black	1
8	PCB	FR-4 Color: Green	1
7	Pin Header	Housing: Thermoplastic, Color: Black Contacts: Copper Alloy, Finish: Au Plated	1
6	Metal Washer	SUS	1
5	EMI Shielded Plate	Copper Finish: Ni Plated	1
4	HDMI Receptacle	Housing: Thermoplastic, Color: Black Contacts: Copper Alloy, Finish: Au Plated Shell: Copper Alloy, Finish: Ni Plated	1
3	O-Ring	Silicone Color: Red	1
2	Hex Nut	Zn Alloy Finish: Ni Plated	1
1	Housing	Zn Alloy Finish: Ni Plated	1
Item	Part Name	Material / Finish	Qty



Recommend PCB Layout



Recommend Panel Cut-Out

TITLE						DRAWING NUMBER			REV.
HDMI C3 Metal C3 Panel Jack Screw Dip						RR-2H2300-10			01
THIRD ANGLE PROJECTION	SIZE	SCALE	DRAW / DATE	CHECK / DATE	APPROVE / DATE	TOLERANCES		UNIT	SHEET
	B	1:1	Karen 03/25/16	Lucas 03/25/16	Ray 03/25/16	X.X ± 0.5 X.XX ± 0.2	X.XXX ± 0.05 ANGLES ± 1°	mm	1/1

www.USBFireWire.com

NOTICE OF PROPRIETARY PROPERTY:
 THE INFORMATION CONTAINED HEREIN IS THE PROPRIETARY PROPERTY OF USBFIREWIRE.COM. THE POSSESSOR AGREES TO THE FOLLOWING:
 (i) TO MAINTAIN THIS DOCUMENT IN CONFIDENCE
 (ii) NOT TO REPRODUCE OR COPY IT
 (iii) NOT TO REVEAL OR PUBLISH IT IN WHOLE OR PART
 (iv) ALL RIGHTS RESERVED

1

2

3

4