

1

2

3

4

Notes: (Unless Otherwise Specified)

- 1. Waterproof Rate: IP68.
- 2. RoHS & REACH Compliant
- 3. 產品採用無Logo PE袋單PCS包裝, 並將標籤貼於袋外.

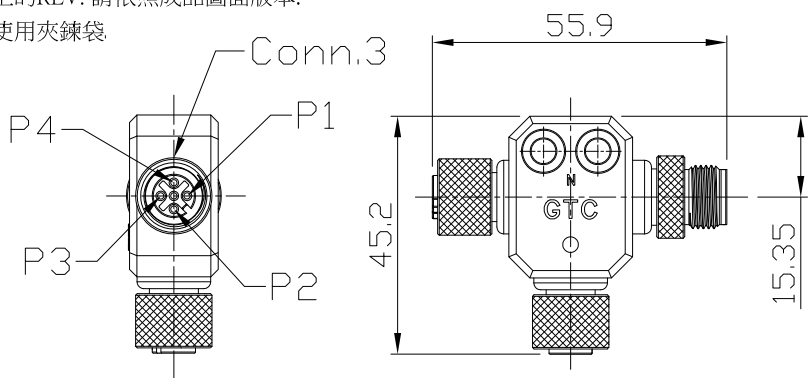
RR-2731F6-21050_REV:XX_QTY:1PCS
LOT: XXXX
Made in China

- 4. 每25PCS產品再用無Logo PE袋包裝, 並將標籤貼於袋外.

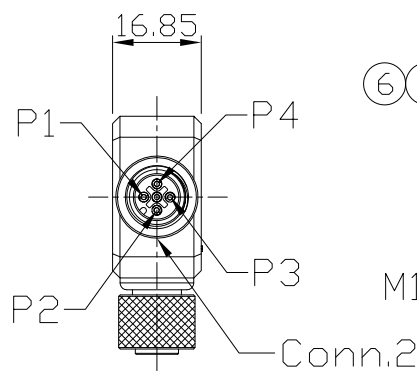
RR-2731F6-21050_REV:XX_QTY:25PCS
LOT: XXXX
Made in China

- 5. 標籤上的REV: 請依照成品圖面版本.
- 6. 不可使用夾鍊袋

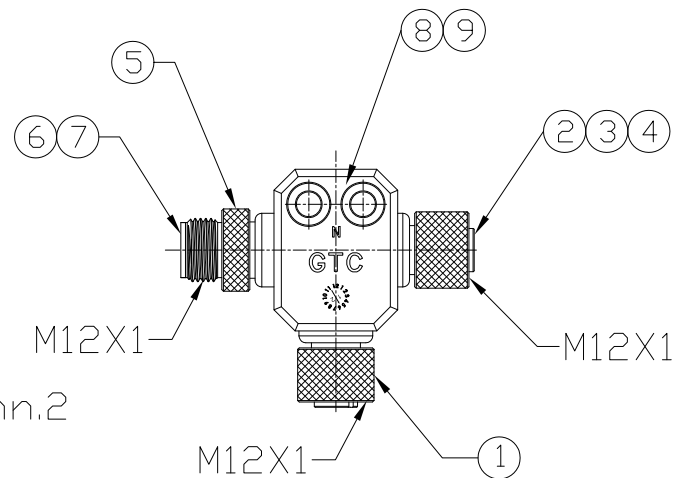
REV	ECN#	DESCRIPTION OF REVISION	DRAW BY DATE	CHECK BY DATE	APPROVE BY DATE
A0			Whitney 01/10/19	Lucas 01/10/19	Ray 01/10/19



Female 5P



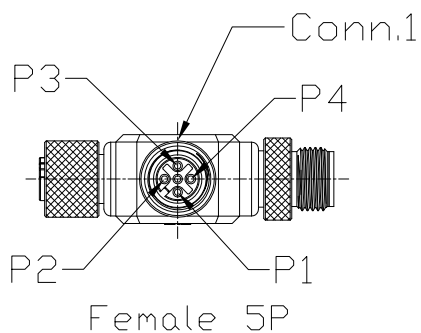
Male 5P



Pin	Conn.1	Conn.2	Conn.3	Color
1	1	1		Green
2	2	2		Red
3	3	3		Black
4	4	4		White
5	5	5		Blue

Wiring Diagram

GTC
 DOC.CENTER.ISSUE
 JAN.11.2019
 ONLY FOR
 RELEASE



Female 5P

Item	Part Name	Material / Finish	Qty
9	Over Mold	PVC Color: Black	1
8	Inner Mold	PVDF Color: White	1
7	Male Contacts	Copper Alloy Finish: Au Plated	5
6	Male Housing	Thermoplastic Color: Black	1
5	Male Screw Nut	Copper Alloy Finish: Ni Plated	1
4	O-Ring	Viton Color: Green	2
3	Female Contacts	Copper Alloy Finish: Au Plated	10
2	Female Housing	Thermoplastic Color: Black	2
1	Female Screw Nut	Copper Alloy Finish: Ni Plated	2

TITLE NMEA 2000 Micro Tee 4A 5P				DRAWING NUMBER RR-2731F6-21050			REV. A0	
------------------------------------	--	--	--	-----------------------------------	--	--	------------	--

THIRD ANGLE PROJECTION	SIZE	SCALE	DRAW / DATE	CHECK / DATE	APPROVE / DATE	TOLERANCES	UNIT	SHEET
DD NOT SCALE DRAWINGS	B	1:2	Whitney 01/10/19	Lucas 01/10/19	Ray 01/10/19	X.X ± 0.5 X.XX ± 0.2 ANGLES ± 1°	mm	1/1

USB FIREWIRE.com

THE INFORMATION CONTAINED HEREIN IS THE PROPRIETARY INFORMATION OF RR BUSINESS VENTURES, LLC. THE POSSESSOR AGREES TO THE FOLLOWING

1. MAINTAIN THIS DOCUMENT IN CONFIDENCE
2. NOT TO REPRODUCE OR COPY IT
3. NOT TO REVEAL OR PUBLISH IT IN WHOLE OR IN PART

COPYRIGHT © 2019