

Notes: (Unless Otherwise Specified)

- 1. Waterproof Rate: IP68
- 2. Cable Diameter: 6.0 to 8.5 mm  $\Delta$
- 3. Recommend Cover Torque: 9~10 Kgf-cm
- 4. Recommend Gland Nut Torque: 9~10 Kgf-cm
- 5. RoHS Compliant
- 6. 產品採用無Logo PE袋單PCS包裝,並將標籤貼於袋外.

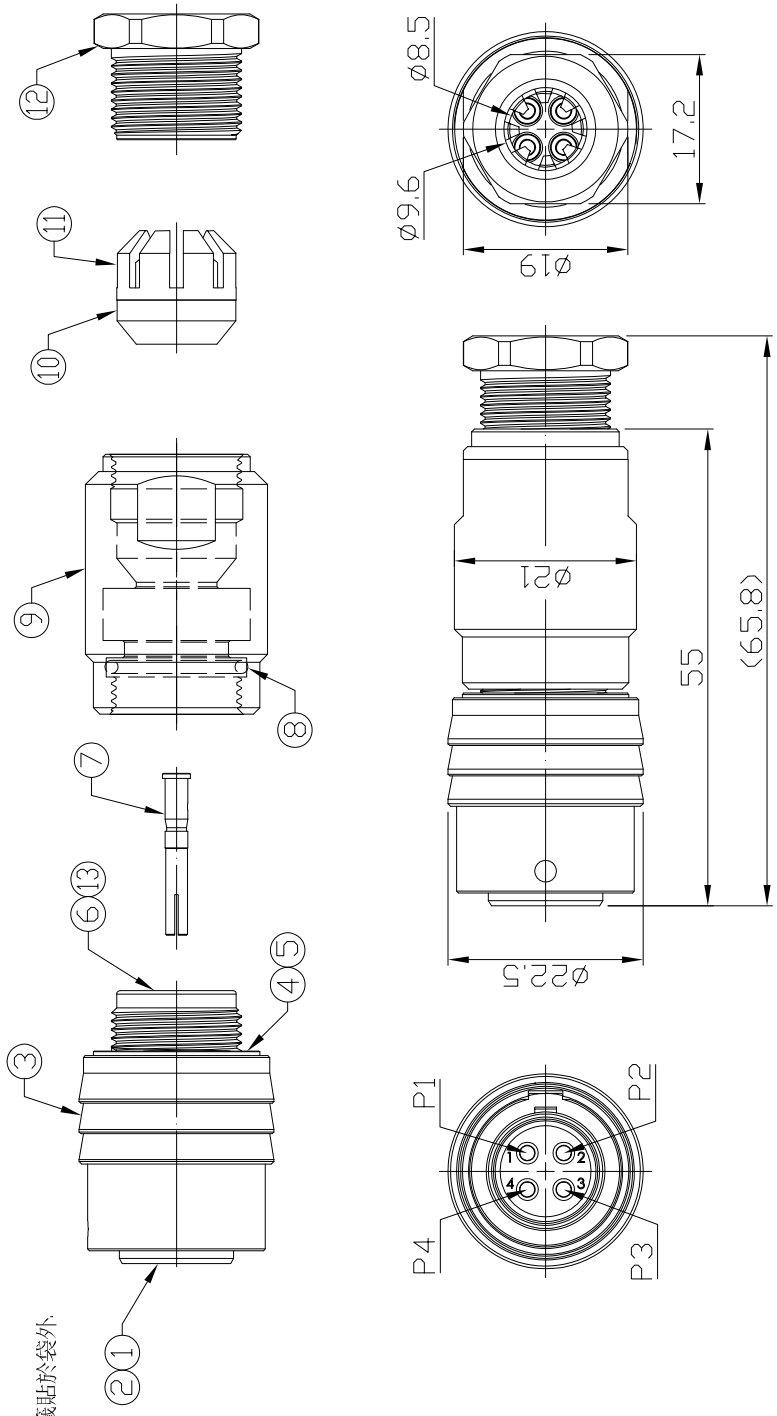
RR-261310-14043\_REV:XX\_QTY:1PCS  
**LOT: XXXX**  
**Made in China**

- 7. 每25PCS產品再用無Logo PE袋包裝,並將標籤貼於袋外.

RR-261310-14043\_REV:XX\_QTY:25PCS  
**LOT: XXXX**  
**Made in China**

- 8. 標籤上的REV: 請依照成品圖面版本.
- 9. 不可使用夾鍊袋

GTC  
 DOC.CENTER ISSUE  
 MAR.06.2019  
 ONLY FOR  
 RELEASE



13	C-Ring	SUS304 Finish: -	1
12	Metal Gland Nut	Copper Alloy Finish: Ni Plated	1
11	Cage	Thermoplastic Color: White	1
10	Gland	Silicone Color: Red	1
9	Metal Cover	Copper Alloy Finish: Ni Plated	1
8	O-Ring	Silicone Color: Gray	1
7	Contacts	Copper Alloy Finish: Au Plated	4
6	Base	Thermoplastic Color: Black	1
5	Metal Holder	Copper Alloy Finish: Ni Plated	1
4	Spring	SUS304 Finish: -	1
3	Metal Push Nut	Copper Alloy Finish: Ni Plated	1
2	Housing	Thermoplastic Color: Black	1
1	Metal Body	Copper Alloy Finish: Ni Plated	1
Item Part Name		Material / Finish	Qty

**USB FIREWIRE**.com

THE INFORMATION CONTAINED HEREIN IS THE PROPRIETARY INFORMATION OF FBI BUSINESS VENTURES, LLC. THE POSSESSOR AGREES TO THE FOLLOWING:

1. NOT TO REVEAL OR PUBLISH IN WHOLE OR IN PART
2. NOT TO REPRODUCE OR PUBLISH IN WHOLE OR IN PART
3. NOT TO REVEAL OR PUBLISH IN WHOLE OR IN PART

copyright © 2019

DRAWING NUMBER		REV.	
RR-261310-14043		A1	
X.X	± 0.5	X.XXX	± 0.05
X.XX	± 0.2	ANGLES	± 1°
TOLERANCES		UNIT	SHEET
		mm	1/1
DRAW / DATE		APPROVE / DATE	
Joyce 08/24/16	Lucas 08/24/16	Ray 08/24/16	
DRAW / DATE		CHECK / DATE	
		Lucas 08/24/16	
SCALE		1:1	
SIZE		B	
THIRD ANGLE PROJECTION			