

Notes: (Unless Otherwise Specified)

1. Waterproof Rate: IP68.
2. Recommend Panel Thickness: 0.8 to 5.0 mm.
3. Recommend Torque: 14~15 Kgf-cm.
4. Mating Cap P/N: GT2C215012/GT1C5331X2.
5. RoHS Compliant.
6. 產品採用無Logo PE袋單PCS包裝, 並將標籤貼於袋外.

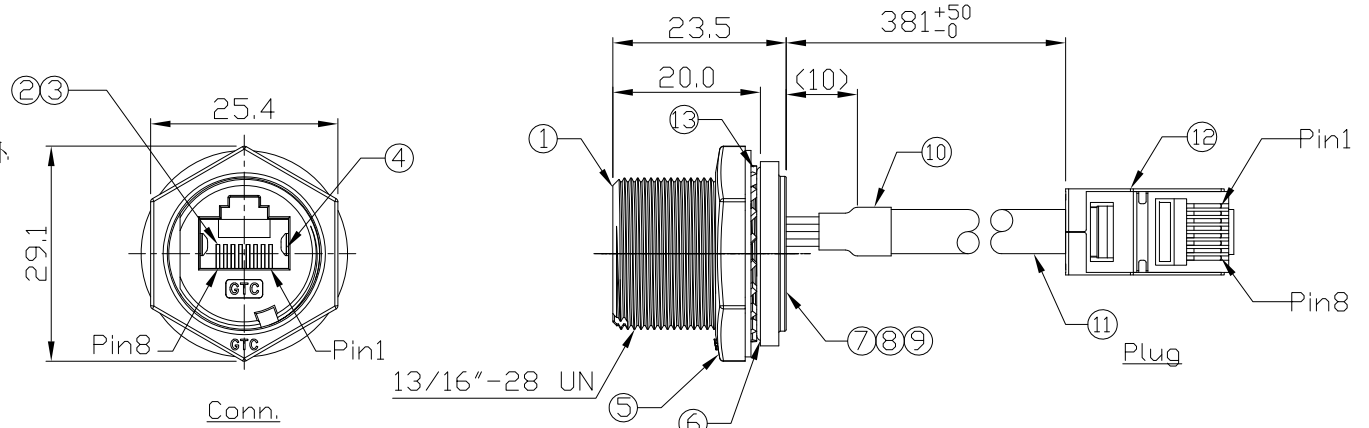
RR-225500-03-Z4\_REV:XX\_QTY:1PCS  
**LOT: XXXX**  
**Made in China**

7. 每25PCS產品再用無Logo PE袋包裝, 並將標籤貼於袋外.

RR-225500-03-Z4\_REV:XX\_QTY:25PCS  
**LOT: XXXX**  
**Made in China**

8. 標籤上的REV: 請依照成品圖面版本.
9. 不可使用夾鍊袋.

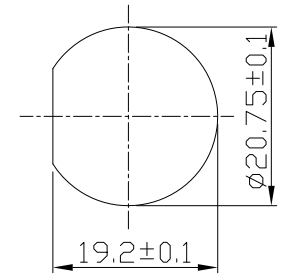
REV	ECN#	DESCRIPTION OF REVISION	DRAW BY DATE	CHECK BY DATE	APPROVE BY DATE
A0			Whitney 07/24/18	Lucas 07/24/18	Ray 07/24/18



13	Washer	Stainless Finish: —	1
12	RJ45 Plug	Housing: Thermoplastic; Color: Clean Contacts: Copper Alloy; Finish: Au Plated Shell: Cold Roll Steel; Finish: Ni Plated	1
11	Cable	CAT5E 24AWG*4P+AL/My+D Color: Gray, OD=6.0mm	1
10	Shrink Tube	L=20mm Color: Black	1
9	Glue	Epoxy Color: Black	
8	PCB	FR-4 Color: —	2
7	Pin Header	Housing: Thermoplastic; Color: Black Contacts: Copper Alloy; Finish: Au Plated	1
6	O-Ring	Silicone Color: Red	1
5	Hex Nut	Zn Alloy Finish: Ni Plated	1
4	EMI Shielded Plate	Copper Alloy Finish: Ni Plated	2
3	Holder	Thermoplastic Color: Black	1
2	RJ45 Receptacle	Housing: Thermoplastic; Color: Gray Contacts: Copper Alloy; Finish: Au Plated	1
1	Housing	Zn Alloy Finish: Ni Plated	1
Item	Part Name	Material / Finish	QTY



GTC  
 DOC.CENTER.ISSUE  
 JUL.25.2018  
 ONLY FOR  
 RELEASE



Recommend  
 Panel Cut-Out

TITTLE						DRAWING NUMBER			REV.	
RJ45 Metal C3 Shielded Panel Jack Screw Inside PCB With Cable + RJ Plug						RR-225500-03-ZX			A0	
DD NOT SCALE DRAWINGS	B	1:1	Whitney 07/24/18	Lucas 07/24/18	Ray 07/24/18	X.X ± 0.5 X.XX ± 0.2	X.XXX ± 0.05 ANGLES ± 1°	mm	1/1	
THIRD ANGLE PROJECTION	SIZE	SCALE	DRAW / DATE	CHECK / DATE	APPROVE / DATE	TOLERANCES		UNIT	SHEET	

  
**USB FIREWIRE.com**

THE INFORMATION CONTAINED HEREIN IS THE PROPRIETARY INFORMATION OF RR BUSINESS VENTURES, LLC. THE POSSESSOR AGREES TO THE FOLLOWING:  
 1. MAINTAIN THIS DOCUMENT IN CONFIDENCE  
 2. NOT TO REPRODUCE OR COPY IT  
 3. NOT TO REVEAL OR PUBLISH IT IN WHOLE OR IN PART

COPYRIGHT © 2019