

4

3

2

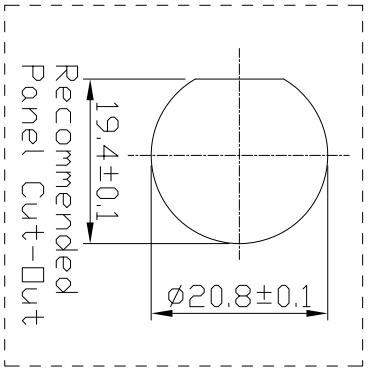
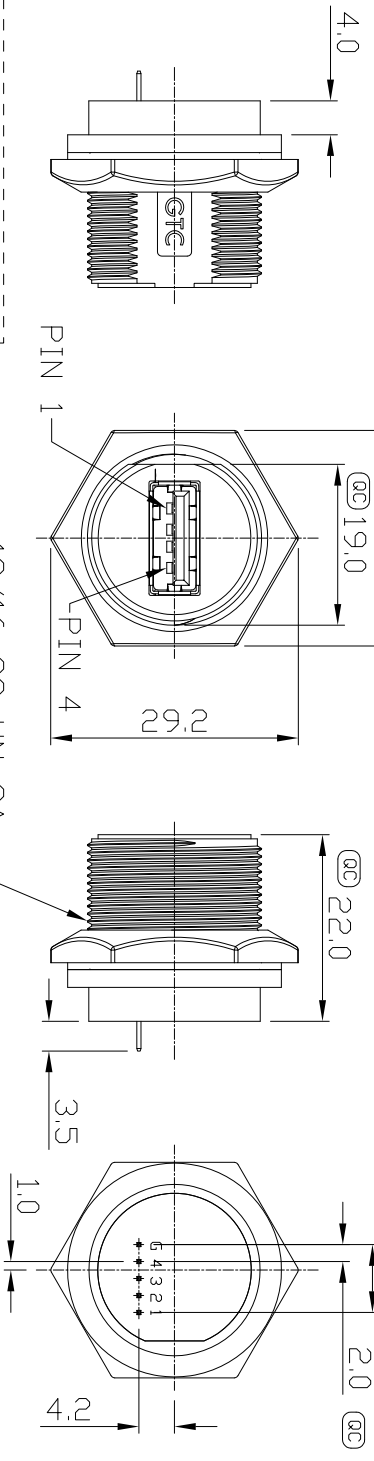
1

NOTES: (UNLESS OTHERWISE SPECIFIED)

- 1. (QC) Important Dimension to Check.
- 2. Waterproof Rate : IP67.
- 3. Panel Thickness : 0.8 to 6.0 mm.
- 4. Hex Nut Torque: 2.5~3 kgf-cm Tightening Torque.

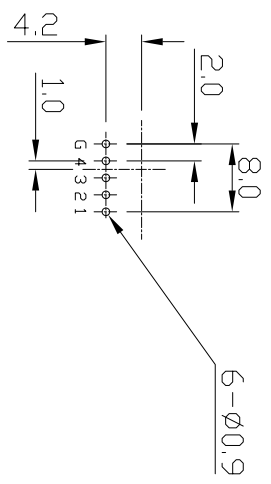
GTC  
R&D DEPT. ISSUE  
APR. 13, 2009  
ONLY FOR  
RELEASE

No.	Component P/N
1	93116-30010
2	66153-00010
3	65116-30010



Pin	Name	Function	USB TYPE	B	Mating Cable Color
1	VBUS	+5VDC			Red
2	D-	Data-			White
3	D+	Data+			Green
4	GDN	Ground			Black
G	SHELL	Shield-Drain Wire			Bare Silver Wire

PCB LAYOUT



REV	ECNH	DESCRIPTION OF REVISION	DATE

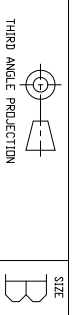
METRIC		DATE
DRAWER	KAREN	04/13/09
APPROVED	RAY	04/13/09

**WWW.USBFIREWIRE.COM**

NOTICE OF PROPRIETARY PROPERTY:  
THE INFORMATION CONTAINED HEREIN IS THE PROPRIETARY PROPERTY OF GIGABYTE CORPORATION. ANY REPRODUCTION OR DISSEMINATION OF THIS DOCUMENT WITHOUT THE EXPRESS WRITTEN PERMISSION OF GIGABYTE CORPORATION IS STRICTLY PROHIBITED.

① TO MAINTAIN THIS DOCUMENT IN CONFIDENCE  
② NOT TO REPRODUCE OR COPY IT  
③ NOT TO REVEAL OR PUBLISH IT IN WHOLE OR PART  
④ ALL RIGHTS RESERVED

DIMENSIONS ARE IN MILLIMETER		TOLERANCES
XX		±0.5
XXX		±0.20
X.XXX		±0.05
ANGLES		±2°
DO NOT SCALE DRAWINGS		



TITLE	SCALE	REV.
USB A Size3 panel for 180	1:1	01

4

3

2

1

A

B

C

D

B

C

D

A