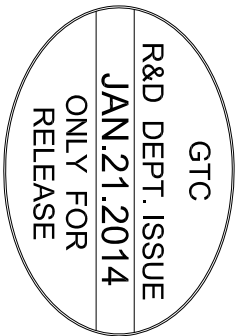
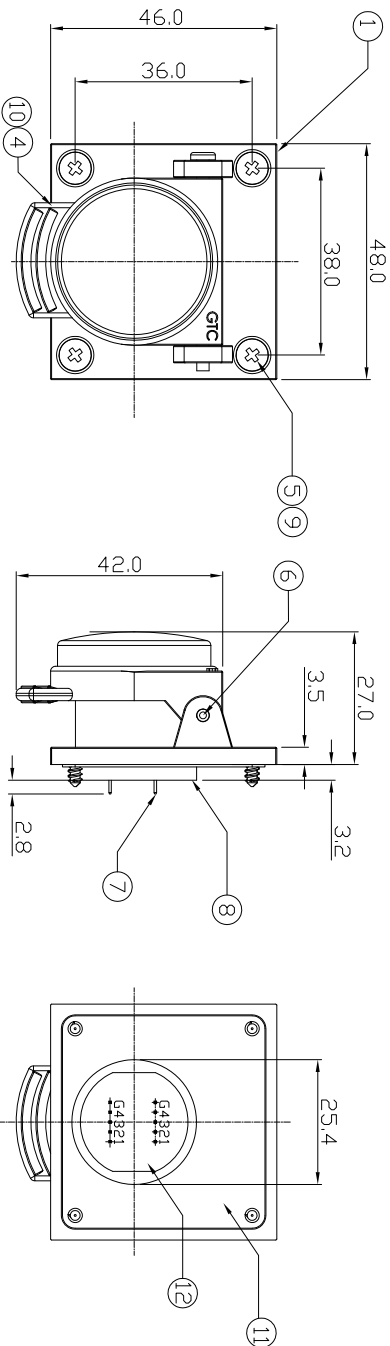


- Notes: (Unless Otherwise Specified)
1. Waterproof Rate: IP65.
 2. Recommend Panel Thickness: 0.8 to 3.0 mm.
 3. RoHS Compliant.

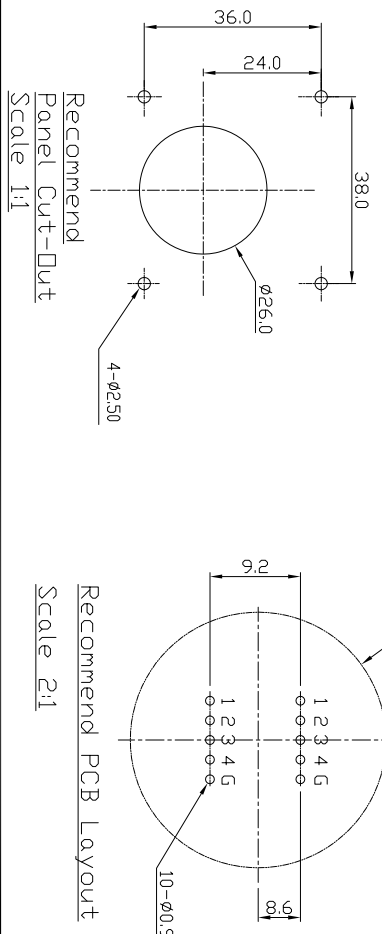


REV	ECN#	DESCRIPTION OF REVISION	DRAW BY DATE	CHECK BY DATE	APPROVE BY DATE
01			Poter 01/20/14	Roy 01/20/14	Roy 01/20/14



Pin	Name	Function	Mating Cable Color
1	VBUS	+5 VDC	Red
2	D-	Data-	White
3	D+	Data+	Green
4	GND	Ground	Black
6	SHLD	Shield-Drain Wire	Bare Silver Wire

Item	Part Name	Material / Finish	Qty
12	Glue	Epoxy Color: Black	
11	Gasket	Silicone Color: Black	1
10	Cap	Silicone Color: Black	1
9	Rubber Pad	Silicone Color: Black	4
8	Screw Gasket	FR-4 Color: Black	4
8	PCB	FR-4 Color: Green	1
7	Pin Header	Housing: Thermoplastic, Color: Black Contacts: Copper Alloy, Finish: Au Plated	2
6	Rivet	Aluminum Finish-	1
5	Screw	Stainless (JIS-ST29) Finish-	4
4	Cap	Thermoplastic Color: Black	1
3	Spring	Stainless Finish-	1
2	USB-A Receptacle	Housing: Thermoplastic, Color: Black Contacts: Copper Alloy, Finish: Au Plated Shell: Copper Alloy, Finish: Ni Plated	2
1	Housing	Thermoplastic Color: Black	1



TITLE	DRAWING NUMBER	REV.
USB-A C4 Panel Square Flange Dual-USB Jack DIP With Cap	RR-111443-10	01

THIRD ANGLE PROJECTION	SIZE	SCALE	DRAW / DATE	CHECK / DATE	APPROVE / DATE	DRAWING NUMBER	TOLERANCES	UNIT	SHEET
	B	1:1	Poter 01/20/14	Roy 01/20/14	Roy 01/20/14	RR-111443-10	± 0.5 ANGLES ± 1°	mm	1/1

NOTICE OF PROPRIETARY PROPERTY:
 www.USBFireWire.com
 THE INFORMATION CONTAINED HEREIN IS THE PROPRIETARY PROPERTY OF GTC CONTACT COL.LTD THE POSSESSOR ADDRESS TO THE FOLLOWING
 01 TO MAINTAIN THIS DOCUMENT IN CONFIDENCE
 02 TO NOT REPRODUCE OR TRANSMIT IT IN ANY FORM OR BY ANY MEANS
 03 TO NOT TO REVERSE ENGINEER IT IN WHOLE OR PART
 04 ALL RIGHTS RESERVED